



## DS3 Series Disconnecting Switch

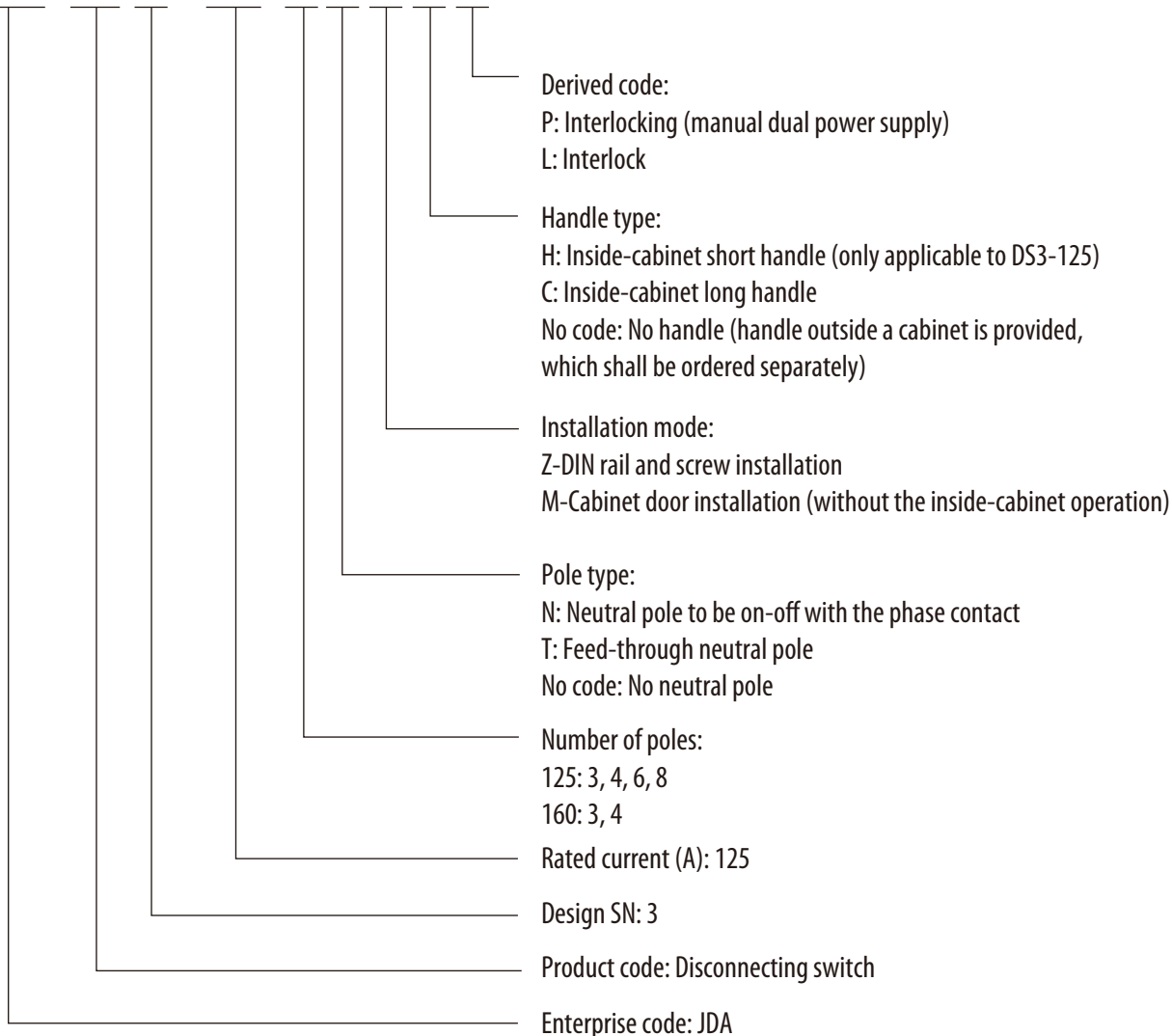


note: subject to change without any notice, JDA pay no responsibility



## Quick Selection Table of DS3-125~160 Series Disconnecting Switch

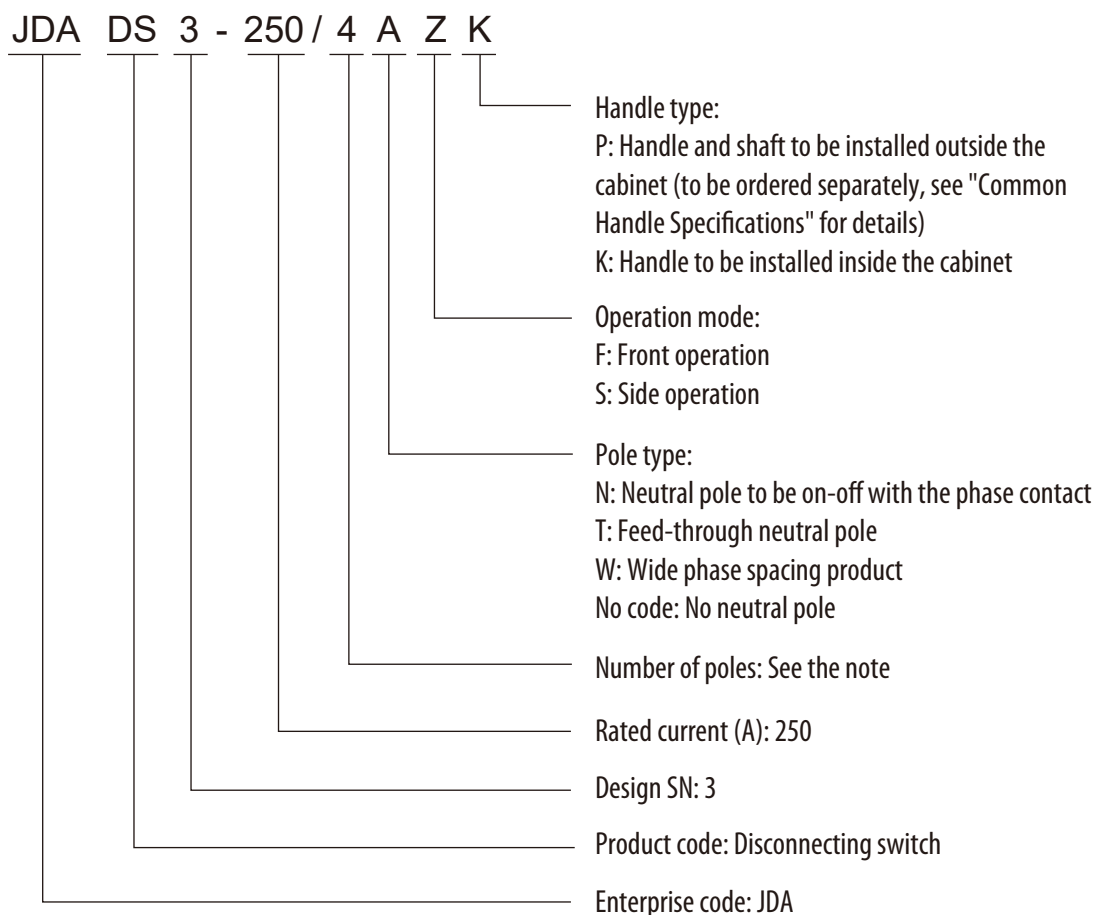
JDA DS 3 - 125 / 3 A Z K S



Note:  
The derived code is only applicable to DS3-125



## Quick Selection Table of DS3-250~400 Series Disconnecting Switch



Note:

1. For the side operation product and K handle type, only 03 and 04 poles are available;
2. For the pole type with Type A or B, only 04 poles are available for the product with the neutral pole;
3. Only 3 and 4 poles are available for the wide phase spacing product.

Number of poles:

- 02:2 (mechanism is located on the left side of the switch);
- 11:2 (mechanism is between the switch poles, applicable to the front operation);
- 03:3 (mechanism is located on the left side of the switch);
- 12:3 (mechanism is between the switch poles, applicable to the front operation);
- 04:4 (mechanism is located on the left side of the switch);
- 22:4 (mechanism is between the switch poles, applicable to the front operation, DC product);



## Main Performance Parameters of DS3-125~400 Series Disconnecting Switch

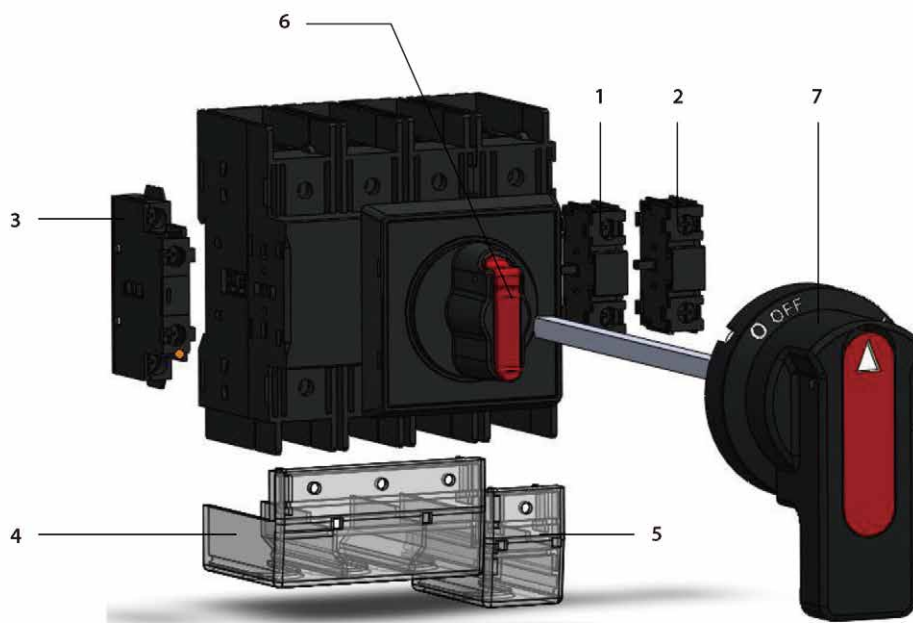
Specifications	JDA-DS3-125			JDA-DS3-160		
Number of poles	3, 4, 6, 8			3, 4		
Rated insulation voltage (V)	750			1000		
Rated impulse withstand voltage Uimp (kV)	8			12		
Rated operational current (A)	Utilization category	Rated voltage	Rated current	Utilization category	Rated voltage	Rated current
	AC-21A AC-22A	380/400/415V	125	AC-21A AC-22A	380/400/415V	160
		500V			500V	
		660/690V			660/690V	
	AC-23A	380/400/415V	90	AC-23A	380/400/415V	135
		500V	70		500V	125
		660/690V	50		660/690V	80
	DC-22A	110V	125/2	DC-21A	750V	160/4
		250V	80/4	DC-22A	500V	160/3
	Rated short-time withstand current Icw (kA)	2.5/1s			4/1s	
Rated short-circuit making capacity Icm (kA)	3.6			12		
Mechanical life	20000			20000		
Connection capacity (mm <sup>2</sup> ) (bare-copper cable)	Main product: 10-70 Auxiliary: 0.75-2.5			Main product: 10-70 Auxiliary: 0.75-2.5		
Terminal tightening torque (locking torque Nm)	Main product: 6 Auxiliary: 0.8			Main product: 6 Auxiliary: 0.8		
Operating torque (Nm)	250V			5		
Installation mode	DIN rail and screw installation: Cabinet door installation			DIN rail and screw installation: Cabinet door installation		



Specifications	JDA-DS3-250			JDA-DS3-400		
Number of poles	2, 3, 4			2, 3, 4		
Rated insulation voltage (V)	1000			1000		
Rated impulse withstand voltage Uimp (kV)	12			12		
Rated operational current (A)	Utilization category	Rated voltage	Rated current	Utilization category	Rated voltage	Rated current
	AC-23A	380/400/415V	250	AC-23A	380/400/415V	400
		500V			500V	
		660/690V			660/690V	
	DC-21B	500V	250/3	DC-21B	500V	400/3
		1000V	250/4		1000V	400/4
Rated short-time withstand current Icw (kA)	8/1s			15/1s		
Rated short-circuit making capacity Icm (kA)	30			50		
Mechanical life	20000			20000		
Connection capacity (mm <sup>2</sup> ) (bare-copper cable)	Main product: 120-150 Auxiliary: 0.75-2.5			Main product: 240 (1 piece) - 150 (2 pieces) Auxiliary: 0.75-2.5		
Terminal tightening torque (locking torque Nm)	Main product: 15-22 Auxiliary: 0.8			Main product: 30-44 Auxiliary: 0.8		
Operating torque (Nm)	2P-4P:7			2P-4P:15		
Installation mode	Bottom plate installation			Bottom plate installation		

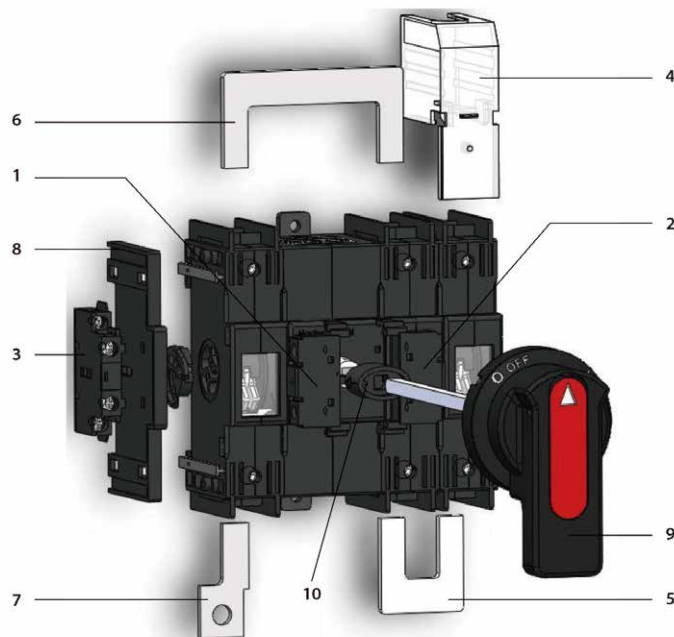


## Accessory Selection Table of DS3-125~400 Series Disconnecting Switch



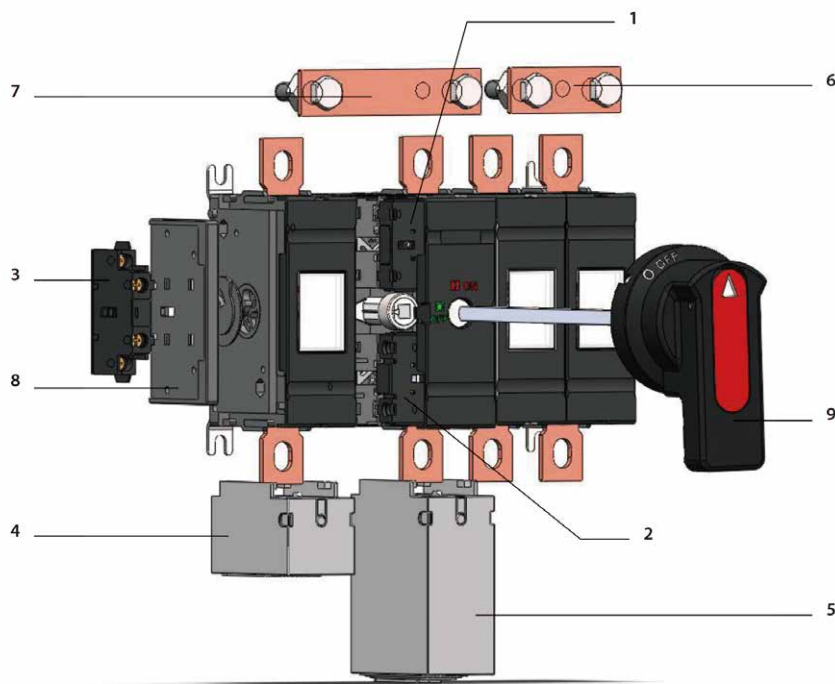
### DS3-125 accessory mode

No.	Name	Remarks
1	Auxiliary switch DSF1-01	Installed on both sides of the product with a maximum of 2 on each side; for the cabinet door installation product or if installed on the same side of the N-phase, install the switch on the product after wiring with the maximum wiring no more than 1mm <sup>2</sup>
2	Auxiliary switch DSF1-10	Installed on both sides of the product with a maximum of 2 on each side; for the cabinet door installation product or if installed on the same side of the N-phase, install the switch on the product after wiring with the maximum wiring no more than 1mm <sup>2</sup>
3	Auxiliary switch DSF1-11	Installed on both sides of the product with 1 on each side, which shall not be installed on the N-phase side; for the cabinet door installation product, install the switch on the product after wiring with the maximum wiring no more than 1mm <sup>2</sup>
4	Terminal cover DSZ1-125/3	Installed on the inlet&outlet wire ends of the main switch
5	Terminal cover DSZ1-125/1	Installed on the inlet&outlet wire ends of the N-pole product
6	Handle DSSB1-B	To be used for the cabinet door installation product with 1 for each set; before installation, select the installation hole position and open up a knock-down hole
7	Handle DSSB1-06C	Optional shaft length of 130, 150, 161, 210, 290



### DS3-160 accessory mode

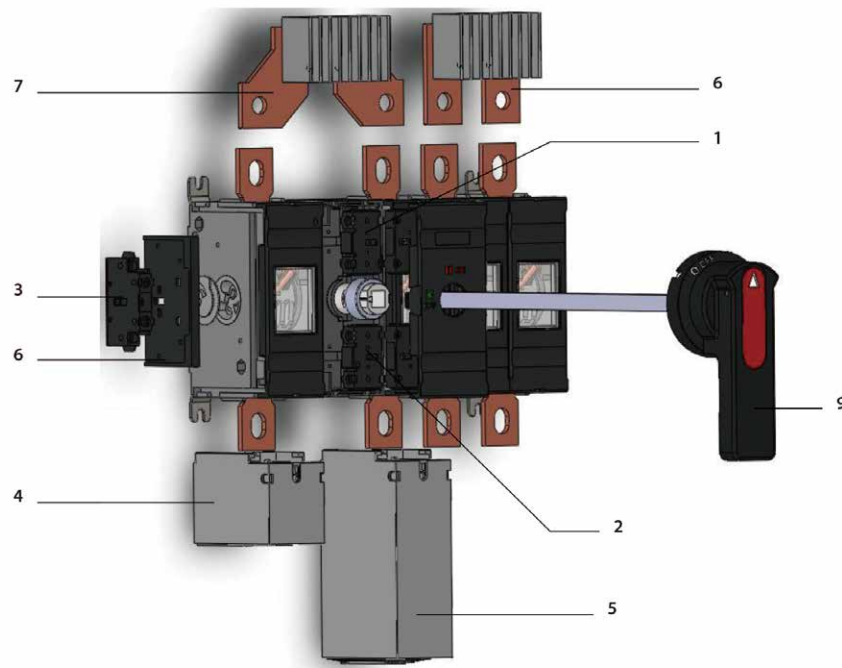
No.	Name	Remarks
1	Auxiliary switch DSF2-01	Must be used with DSA1-2/160 and installed on the product front with a maximum of 2 on eachside, which can't be used for the inside cabinet handle
2	Auxiliary switch DSF2-10	Must be used with DSA1-2/160 and installed on the product front with a maximum of 2 on eachside, which can't be used for the inside cabinet handle
3	Auxiliary switch DSF1-11	Must be used with DSA1-1/160 and installed on both sides of the product with a maximum of 2 on each side, which can't be used for the screw installation
4	Terminal cover DSZ1-160/1	Installed on the inlet&outlet wire ends of the product, which can't be used with the secondary wiring terminal
5	DS3-160 (short) short busbar	Installed between two adjacent poles
6	DS3-160 (long) short busbar	Installed between two poles of the spacing operating mechanism
7	Secondary wiring terminal DSXTG1-160	Installed on the both ends of the product's each pole, which can't be used with the terminal cover
8	Mounting base DSA1-1/160	Installed on both sides of the product, to be used with DSF1-11, with the screw installation not optional
9	Handle DSSB1-06C	Optional shaft length of 130, 150, 161, 210, 290 (only 130 for the cabinet door installation)
10	Mounting base DSA1-2/160	Installed on the top of the product, to be used with DSF2-01 and DSF2-10, with the inside-cabinet handle not optional



### DS3-250 accessory mode

No.	Name	Remarks
1	Auxiliary switch DSF1-01	Installed underneath the mechanism front cover with a maximum of 1 up and down, which shall be installed on the product after wiring
2	Auxiliary switch DSF1-10	Installed underneath the mechanism front cover with a maximum of 1 up and down, which shall be installed on the product after wiring
3	Auxiliary switch DSF1-11	Must be used with DSA1-1/250 and installed on both sides of the product with a maximum of 2 on each side
4	Terminal cover DSZ1-250/1S	Installed on the inlet&outlet wire ends of the product
5	Terminal cover DSZ1-250/1L	Installed on the inlet&outlet wire ends of the product
6	DSG3-250 short connection bar	Installed between two adjacent poles
7	DSG3-250 long connection bar	Installed between two poles of the spacing operating mechanism
8	Mounting base DSA1-1/250	Installed on both sides of the product, to be used with DSF1-11
9	Handle DSSB1-06C	Optional shaft length of 130, 150, 161, 210, 290





### DS3-400 accessory mode

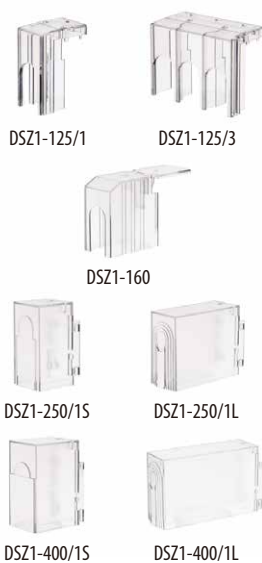
No.	Name	Remarks
1	Auxiliary switch DSF1-01	Installed underneath the mechanism front cover with a maximum of 2 up and down, which shall be installed on the product after wiring
2	Auxiliary switch DSF1-10	Installed underneath the mechanism front cover with a maximum of 2 up and down, which shall be installed on the product after wiring
3	Auxiliary switch DSF1-11	Must be used with DSA1-1/250 and installed on both sides of the product with a maximum of 2 on each side
4	Terminal cover DSZ1-400/1S	Installed on the inlet&outlet wire ends of the product
5	Terminal cover DSZ1-400/1L	Installed on the inlet&outlet wire ends of the product
6	DSG3-400 short connection bar	Installed between two adjacent poles
7	DSG3-400 long connection bar	Installed between two poles of the spacing operating mechanism
8	Mounting base DSA1-1/250	Installed on both sides of the product, to be used with DSF1-11
9	Handle DSSB1-10J	Optional shaft length of 166, 185, 250, 280, 325, 395, 465, 535



## Accessories Function Description

Part	
Auxiliary switch	Simultaneous monitoring ON-OFF status of the product
Handle outside a cabinet	Operate the disconnecting switch outside the cabinet
Terminal cover	Insulation protection
DC short busbar	In series connection for DC application
Secondary wiring terminal	Auxiliary wiring
Mounting base	To be used with the auxiliary switch

## Configuration of standard accessories



Terminal cover		
Model	Applicable switch	Number of poles
DSZ1-125/1	DSG-125	1-8 pole(s)
DSZ1-125/3	DSG-125	3, 4, 6, 8 poles
DSZ1-160/1	DSG-160	1-4 pole(s)
DSZ1-250/1S	DSG-250	1-4 pole(s)
DSZ1-250/1L	DSG-250	1-4 pole(s)
DSZ1-400/1S	DSG-400	1-4 pole(s)
DSZ1-400/1L	DS3-400	1-4 pole(s)



Terminal cover		
Model	Applicable switch	Number of poles
DSF1-01	DS3-125/250/400	1NC
DSF1-10	DS3-125/250/400	1NO
DSF1-11	DS3-125/160/250/400	1NO+1NC
DSF2-01	DS3-160	1NC
DSF2-10	DS3-160	1NO



DSHS1-06C



DSHS1-10J



DSA1-1/160



DSA1-2/160

DSA1-2/250



DSXTG1-160



(Short)  
DS3-160

(Long)  
short busbar



(Short)  
DS3-250

(Long)  
busbar



(Short)  
DS3-400



(Short)  
short busbar

### Handle+shaft

Model	Applicable switch	Square shaft dimensions
DSHS1-B	DS3-125	6*6
DSHS1-06C 130	DS3-125, 160, 250	6*6
DSHS1-06C 150	DS3-125, 160, 250	6*6
DSHS1-06C 161	DS3-125, 160, 250	6*6
DSHS1-06C 210	DS3-125, 160, 250	6*6
DSHS1-06C 290	DS3-125, 160, 250	6*6
DSHS1-10J 166	DS3-400	10*10
DSHS1-10J 185	DS3-400	10*10
DSHS1-10J 250	DS3-400	10*10
DSHS1-10J 280	DS3-400	10*10
DSHS1-10J 325	DS3-400	10*10
DSHS1-10J 395	DS3-400	10*10
DSHS1-10J 465	DS3-400	10*10
DSHS1-10J 535	DS3-400	10*10

### Mounting base

Model	Applicable switch	Square shaft dimensions
DSA1-1/160	DS3-160	Auxiliary installation DSF1-11
DSA1-2/160	DS3-160	Auxiliary installation DSF2-01/10
DSA1-1/250	DS3-250/400	Auxiliary installation DSF1-11

### Secondary wiring terminal

Model	Applicable switch	Function
DSXTG1-160	DS3-160	Ease for wiring

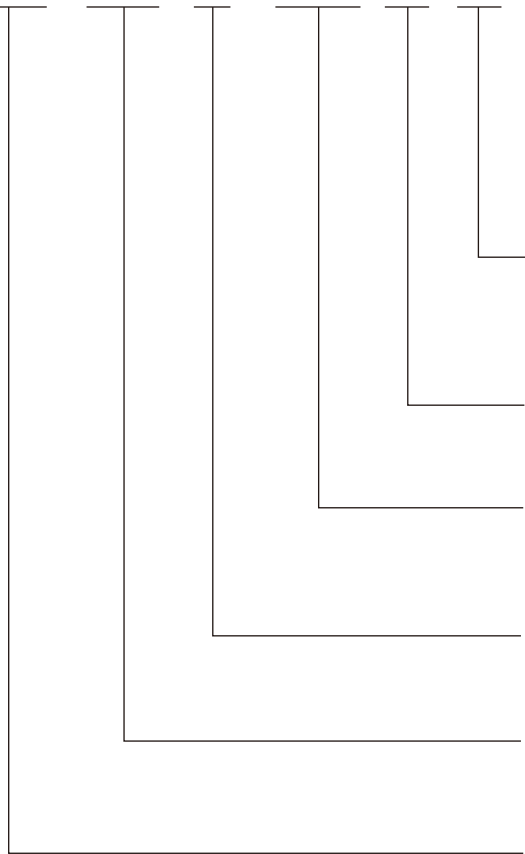
### DC short busbar

Model	Applicable switch	Square shaft dimensions
DS3-160 (short) short busbar	DS3-160	DC in series connection
DS3-160 (long) short busbar	DS3-160	DC in series connection
DS3-250 short connection bar	DS3-250	DC in series connection
DS3-250 long connection bar	DS3-250	DC in series connection
DS3-400 short connection bar	DS3-400	DC in series connection
DS3-400 long connection bar	DS3-400	DC in series connection



## Quick Selection Table of DS3-500~1250 Series Disconnecting Switch

JDA DS3 3 - 1250 / 4 / Z



Current type:  
No code: Normal product  
Z: DC PV product

Number of poles: 3, 4

Disconnecting switch specifications:  
500, 630, 800, 1000, 1250

Design SN: 3

Product code: Disconnecting switch

Enterprise code: JDA

**Note:**

The short busbar SB1/S shall be ordered for the DC PV product; please contact the local dealer.

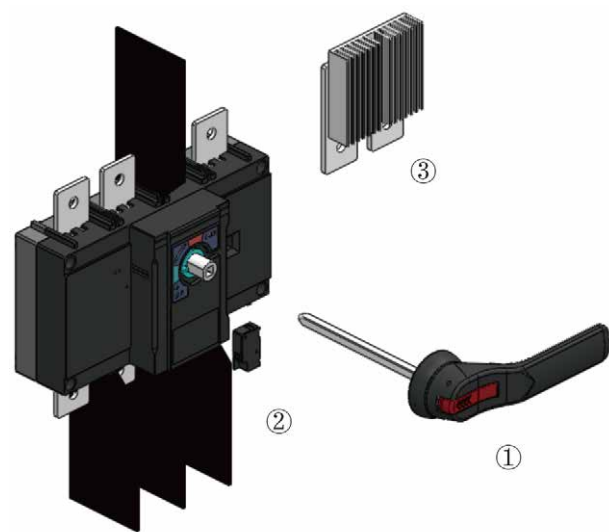


## Main Performance Parameters of DS3-500~1250 Series Disconnecting Switch

Specifications	Category/unit	Parameter description					
Rated current In	A	500	630	800	1000	1250	
Conventional thermal current Ith	A	800			1250		
Number of poles	Pole	3.4					
Insulation Voltage, Ui	V	1000					
Rated impulse withstand voltage Uimp	kV	12					
Rated operational current Ie (A)	AC22B	380/400/415V	500	630	800	1000	1250
		660/690V	400	500	500	800	800
	AC23B	380/400/415V	400	500	/	800	1000
		660/690V	315	315	/	500	500
	DC21B	750V	500/3	630/3	800/3	/	/
		1000V	500/4	630/4	800/4	/	/
	DC22B	750V	/	/	/	1000/3	1250/3
		1000V	/	/	/	1000/4	1250/4
Rated short-time withstand current, Icw	kA 1s	AC: 16 DC: 10			AC: 35 DC: 10		
Rated short-circuit making capacity Icm	kA	AC: 32 DC: 17			AC: 50 DC: 17		
Mechanical life	Times	5000					
Operating torque	N.m	18			40		
Wiring screw tighten torque	N.m	14			10		
Wiring copper bus cross-section	mm <sup>2</sup>	2 pieces, 30×5	2 pieces, 40×5	2 pieces, 50×5	2 pieces, 60×5	2 pieces, 80×5	
Installation		M6 screw installation			M8 screw installation		

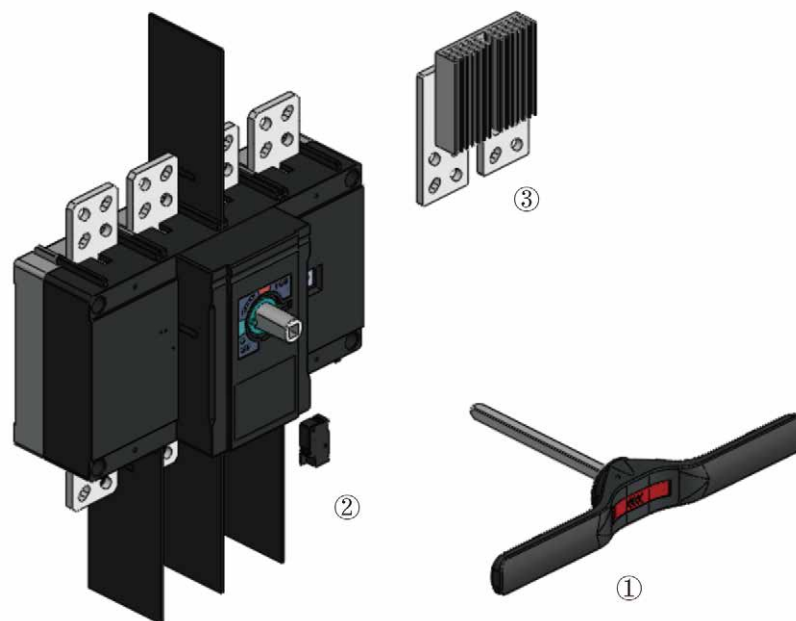


## Accessory Selection Table of DS3-500~1250 Series Disconnecting Switch



### DS3-500, DS3-630, DS3-800 accessory mode

No.	Name	Remarks
1	Handle	Installed on the cabinet door with one for each door and the optional shaft length of 200mm, 400mm
2	Auxiliary switch	Installed on the front left of the main switch, up to two units
3	Short busbar	Installed on the terminal board of the main switch



### DS3-1000, DS3-1250 accessory mode

No.	Name	Remarks
1	Handle	Installed on the cabinet door with one for each door and the optional shaft length of 200mm, 400mm
2	Auxiliary switch	Installed on the front left of the main switch, up to two units
3	Short busbar	Installed on the terminal board of the main switch

### Accessories Function Description

Part	Function
Auxiliary switch	Simultaneous monitoring on-off status of the product
Handle outside a cabinet	Operate the disconnecting switch outside the cabinet
Short busbar	In series connection of the main poles for DC application



## Configuration of standard accessories



HD/S3-800



HD-200/S3-800  
HD-400/S3-800



HD/S3-1250



HD-200/S3-1250  
HD-400/S3-1250

Handle		
Model	Applicable switch	Square shaft dimensions
HD/S3-800	DS3-500/630/800	Without a square shaft
HD-200/S3-800	DS3-500/630/800	Shaft length 200mm
HD-400/S3-800	DS3-500/630/800	Shaft length 400mm
HD/S3-1250	DS3-1000/1250	Without a square shaft
HD-200/S3-1250	DS3-1000/1250	Shaft length 200mm
HD-400/S3-1250	DS3-1000/1250	Shaft length 400mm



A1-11A/S3-800



A1-11B/S3-800

Auxiliary switch		
Model	Applicable switch	Function
A1-11A/S3-800	DS3-500/630/800/1000/1250	1NO+1NC, 1 unit to be installed
A1-11B/S3-800	DS3-500/630/800/1000/1250	1NO+1NC, 2 units to be installed

## Features: According to GB 14048.5, IEC 60947-5-1

Contact type	Rated current I <sub>n</sub> (A)	Operational current I <sub>e</sub> (A)		
		250V AC AC-12	250V DC DC-12	125V DC DC-12
NO+NC	16	16	0.3	0.6





SB/S3-800




SB/S3-1250

Handle		
Model	Applicable switch	Function
SB/S3-800	DS3-500/630/800	In series in DC
SB/S3-1250	DS3-1000/1250	In series in DC



日揚國際事業股份有限公司  
JD Auspice Co., Ltd.



 [www.jdauspice.com](http://www.jdauspice.com)



 [@jdauspice](https://www.facebook.com/jdauspice)



 ID : @jdapv

