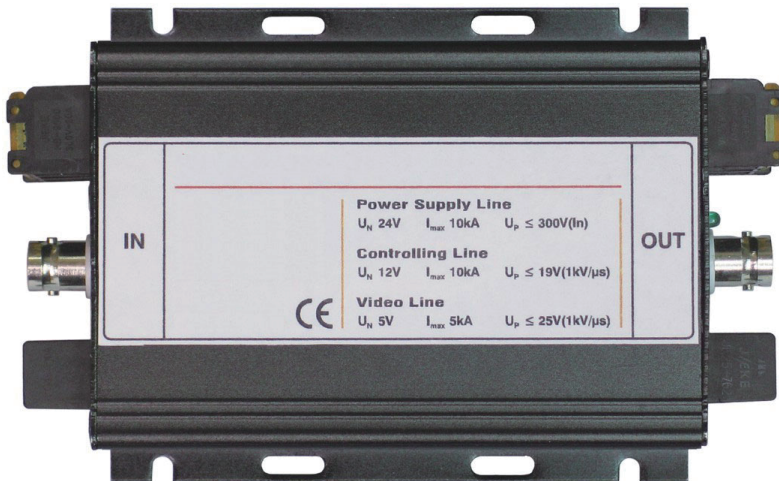


CCTV surge protector CL12T-VL05BNC-PL220T/3F

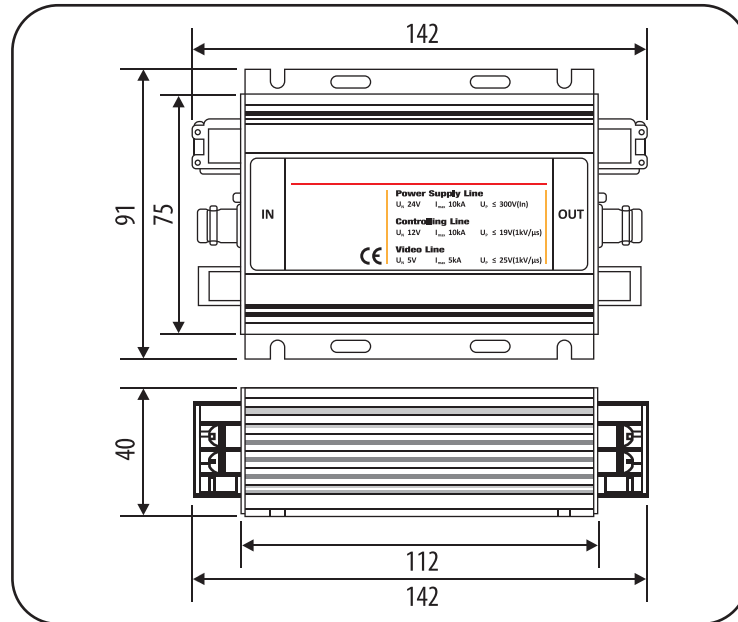


CL12T-VL05BNC-PL220T/3F is for protection of power lines, signal lines and video lines of surveillance devices from surge damages, such as surveillance video receiver, high speed dome camera, fixed camera and so on. These products are widely used in camera surveillance systems, residential security systems.

- ◆ Green light indicates normal and red light indicates fault for the power supply protection
- ◆ Integrated protection for power lines, control lines and video signal lines of the camera
- ◆ High discharge capacity, low protection level
- ◆ Quick response, multilevel protection, small interference to transmission signal
- ◆ Used for surveillance camera (CCTV system)

Part No.		CL12T-VL05BNC-PL220T/3F		
		Video line	Controlling line	Power supply line
System voltage(50/60Hz) (Vac)	Un	5V	12V	220V
Nominal discharge current(8/20)	In	2.5KA (line-shield), 5KA (shield-PG)	5KA (line-shield), 5KA (shield-PG)	5kA
Max Discharge current I _{max} (8/20μs)	I _{max}	5KA (line-shield), 10KA (shield-PG)	10KA (line-shield), 10KA (shield-PG)	10kA
Voltage protection level	Up	25V (line-shield), ≤ 25V (Shielded-PG)	≤25V (line-shield), ≤ 35V (Shielded-PG)	<950V(L-N)
Voltage protection level at 1Kv/μs	Up	≤25V (line-shield), ≤25V (Shielded-PG)	≤19V (line-shield), ≤19V (Shielded-PG)	
Response time		≤1ns(line-shield), ≤100ns (Shielded-PG)	≤1ns(line-shield), ≤100ns (Shielded-PG)	≤25ns
Bandwidth	fG	10MHz	2.9MHz	-
Data transmission rates	Vs	16Mbit/s	-	-
Series Impedance		-	1.9Ω	
Insertion loss		0.4dB	0.5dB	-
Connection (input/output)		BNC socket	Connecting terminal	Connecting terminal
In accordance with		IEC 61643-1:2011 ; IEC 61643-21:2005		
Dimensions (mm)		142*91*40		
Operating temperature range		- 40°C ~ + 80°C		
Earthing via		Earthing screw		
Enclosure material		Aluminum		

Dimension drawing



Installation instruction

1. This product is connected in series to the protected devices.
2. The out terminal should be connected to the protected devices. Note: The "IN" terminal power supply must be installed with a backup fuse.
3. Earthing lead should be connected to the earthing system, ideally using 2.5mm² cable, the cable should be as short as possible.
4. On power up, the green light will be on.

Regularly inspect the operating status, especially after lightning
Once the communication is off, electrician should check/replace the SPD

Installation diagram:

