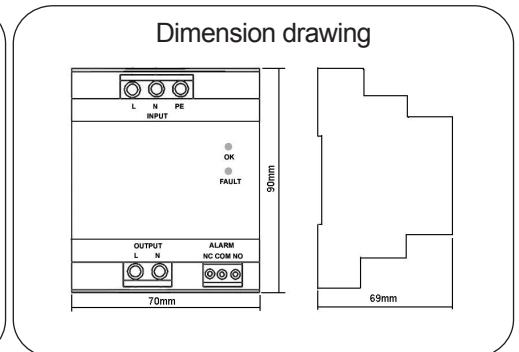
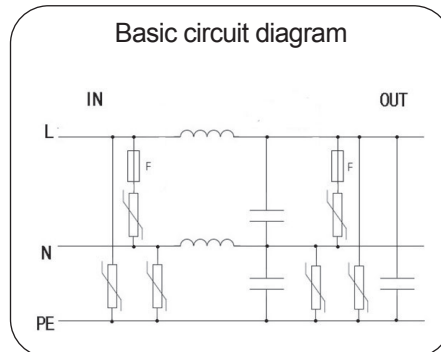


DRF25-175-25A-3MV-C(-R)



Surge protective device especially for low-voltage power supply system surge protection at the boundaries from lightning protection zone 2-3 and higher.

- ⊙ Multi-stage protection circuit with LC Filter design to protect sensitive electronics.
- ⊙ Provides extensive high frequency & RF filtering
- ⊙ Application for 120~127Vac, 220~277Vac(L-N) TT, TN or any 1-phase system with a grounded neutral
- ⊙ Protection capability 25kA 8/20 us
- ⊙ Built in backup fuse for fault current protection
- ⊙ All mode protection
- ⊙ LED failure indication
- ⊙ Remote alarm function available

Part No.	DRF25/275-25A-3MV-C(-R)	
In accordance with	IEC61643-11:2011; UL 14494th	
Category IEC/VDE	III / D	
Nominal Voltage Un	100-127V 1φ2W	
Max. continuous operating voltage (AC)	175V	
Current rating – Max.continuous	25A	
Protection modes	Line-Neutral, Line-Earth, Neutral-Earth	
Nominal discharge current(8/20) In(mode)	10kA(L-N);3kA(L/N-PE)	
Max. discharge current(8/20) Imax(mode)	25kA(L-N);6kA(N-PE), 16kA (L-PE)	
Max. discharge current(8/20) Imax(phase)	31kA	
Voltage protection level(L-N)	@In	<0.8kV
	@VPR	<0.7kV
Temporary overvoltage- TOV	195VAC/5s	
Filter attenuation	>45dB @ 1MHz	
Internal protection (fusing)	Thermal fusing on primary MOVs	
External disconnector requirements	25A HRC fuse or MCB	
Environment	-10 to 60°C, 0 to 90%RH (non-condensing)	
Cross-section of connection wire	Single-strand 6mm ² ; multi-strand 4mm ²	
Mounting	35mm DIN-rail in accordance with EN 50022/DIN46277-3	
Enclosure material	thermoplastic; extinguishing degree UL94 V0	
Degree of protection	IP20;	
Installation width	4 modules, DIN 43880	
Alarms/indicators	2 part display, Power OK, Protection fault.	
Dimensions	90mm (L) x 70mm (W) x 69mm (H)	
Additional data for Remote Alarm Contacts		
Remote alarm contact type	Isolated Form C	
Switching capability	dry contact alarm relay – 125VAC1A;/30Vdc, 2A	
Max. Size of connecting wire	Max. 1.5mm ² (or # 16AWG)	

Note: Subject to change without any notice.