



日燭科技有限公司
JD Auspice Co., Ltd

DC MCCB DC SWITCH



Catalogue

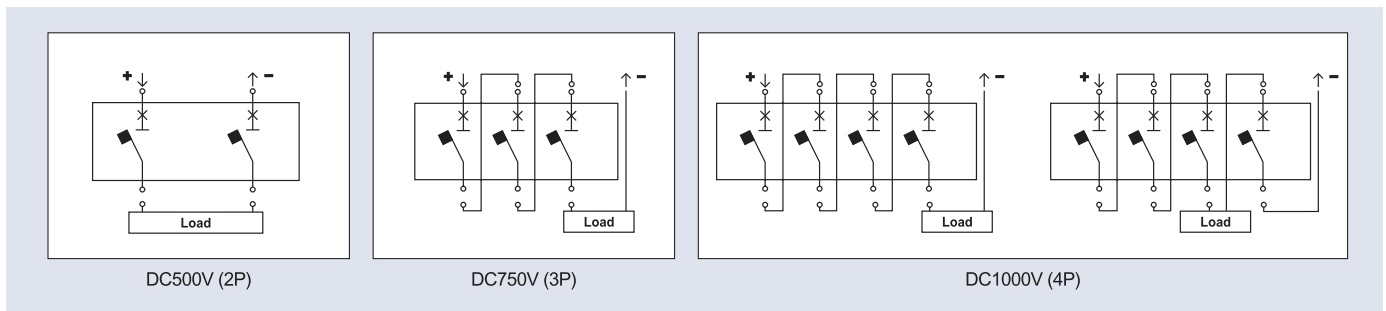
MCCB for DC Application

- Susol MCCB is suitable for DC application such as Photovoltaic Circuit Breaker, UPS and datacenter
- DC short circuit test tested by VDE
- Higher nominal voltage range up to 1000 VDC
- Rated Current : 16A~800A
- No of Pole: 2/3/4Pole
- Available for AC/DC application



		TD100	TD160	TS100	TS160	TS250	TS400	TS630	TS800																
Frame size	(AF)	100	160	100	160	250	400	630	800																
Rated current, In (A)		16, 20, 25, 32, 40, 50, 63, 80, 100	100, 125, 160	40, 50, 63, 80, 100	100, 125, 160	125, 160, 200, 250	300, 400	500, 630	700, 800																
No. of Poles	(Pole)	2, 3, 4	2, 3, 4	2, 3, 4	2, 3, 4	2, 3, 4	2, 3, 4	2, 3, 4	2, 3, 4																
Rating (DC)	1000V	4P		4P	4P	4P	4P	4P	4P																
	750V	3P 3P		3P	3P	3P	3P	3P	3P																
	500V	2P		2P	2P	2P	2P	2P	2P																
Rated service breaking (DC)	Type	N	H	L	N	H	L	N	H	L	N	H	L	N	H	L	N	H	L	N	H	L			
	1000V (4P)	42	65	100	42	65	100	50	85	100	50	85	100	50	85	100	50	85	100	50	85	100	50	85	100
	750V (3P)	42	65	100	42	65	100	50	85	100	50	85	100	50	85	100	50	85	100	50	85	100	50	85	100
	500V (2P)	42	65	100	42	65	100	50	85	100	50	85	100	50	85	100	50	85	100	50	85	100	50	85	100
Trip unit																									
	FTU (fixed-thermal, fixed-magnetic)	●	●	●	●	●	●	●	●	●	●	●	●	●	●	●	●	●	●	●	●	●	●	●	●
	FMU (adjustable-thermal, fixed-magnetic)	●	●	●	●	●	●	●	●	●	●	●	●	●	●	●	●	●	●	●	●	●	●	●	●
	ATU (adjustable-thermal, adjustable-magnetic)	--	-	-	-	-	--	-	●	●	●	●	●	●	●	●	●	●	●	●	●	●	●	●	●

Exemplary circuit diagrams



MCCB for DC Application

MCCB PV up to 800A

Warnings when using Susol MCCB on PV system

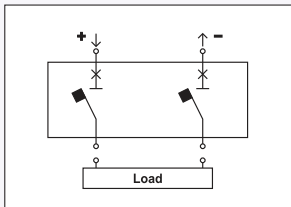
The following warning must be kept when using Susol MCCB on PV system
If not, it can result damages on any related products or injuries.



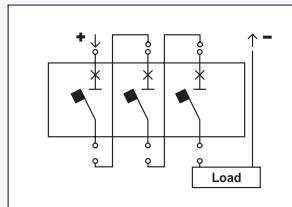
Warning

1. Please, follow the wiring as shown below.

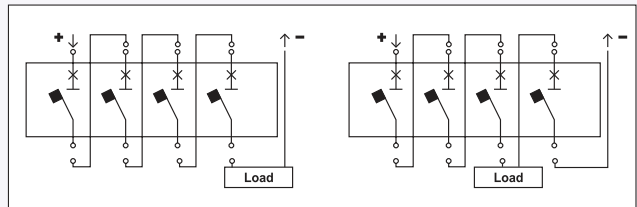
When wired differently, usable voltage can be limited.



DC500V (2P)

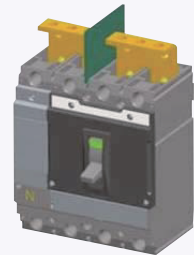


DC750V (3P)



DC1000V (4P)

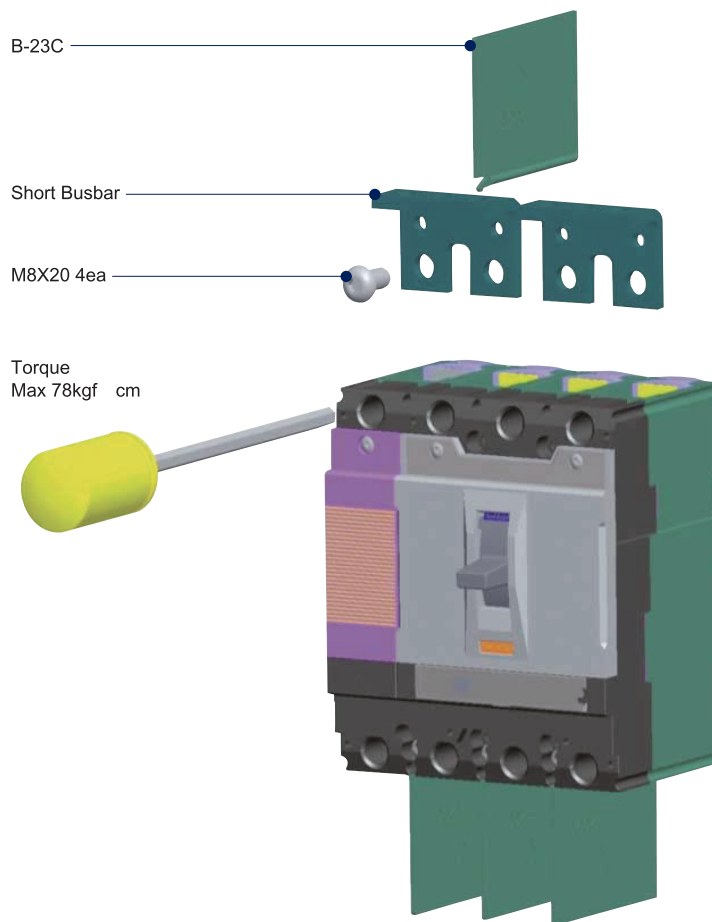
2. Use minimum of 60cm wire when wiring. Shot wires can result increasing temperature.
3. When designing circuit by using busbar as picture on right, de-rated use is recommended.
It can cause temperature increase, wrongly trip, damage or fire due to shortage of heat release(Refer to De-rating table)
4. Please, maintain given thickness and length of busbar on the specification drawing.
Additional de-rating is required in order to release the heat when busbar specification is different than instructed.
5. It is recommended to use tin or silver plated busbar.
6. Install sun screens or fans to maintain KS or IEC standard 40°C inside of connection and low voltage panels.
When inside temperature of panel exceeds 40°C, it can cause temperature increase, wrongly trip, damage or fire.
Additional de-rating is required when panel temperature exceeds 40°C.
7. Please, ask any other further questions before applying.



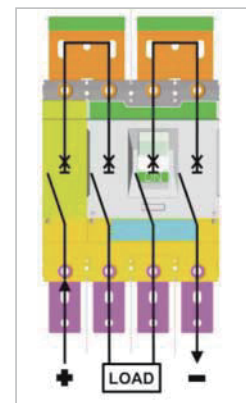
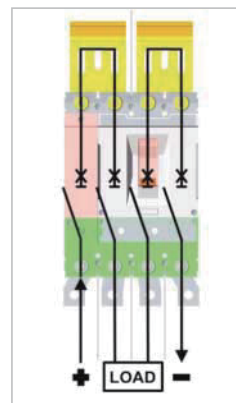
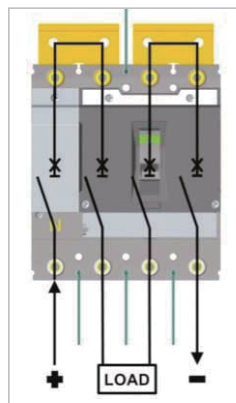
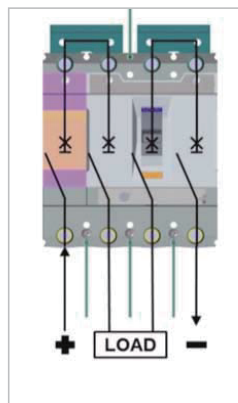
MCCB for DC Application

MCCB PV up to 800A

Short Busbar Installation



Configuration and Series Connection



MCCB for DC Application

MCCB PV up to 800A

Derating Table for AF

The following tables are based on the following assumptions;

- Maximum permissible temperature of busbars are 100
- T : Temperature around the circuit breaker and its connections

- Note) 1. The values presented in the tables are the result of trials and theoretical calculations on the basis of the assumption mentioned above.
 2. These tables are intended as an aid in designing connection, however, the actual values must be confirmed by tests on the installation.

AF	Rated current(A)	Derating(A)	Short Busbar
TD100	16	16	TD160 3t Short Busbar
	20	20	
	25	25	
	32	32	
	40	40	TD160 4t Short Busbar
	50	50	
	63	63	
	80	80	
TD160	100	100	TD160 5t Short Busbar
	125	125	
	160	135	
TS100	40	40	TS250 4t Short Busbar
	50	50	
	63	63	
	80	80	
	100	100	
TS160	100	100	TS250 5t Short Busbar
	125	125	
	160	135	
TS250	125	125	TS630 Lower & Upper Short Busbar
	160	160	
	200	180	
	250	180	
TS400	300	300	TS800 Lower & Upper Short Busbar
	400	400	
TS630	500	500	
	630	500	
TS800	700 *	700	
	800	700	

- Note) 1. * Only available for TS800FTU
 2. Dimension on the short busbar refer to A-6-47~52.
 3. Short busbar for PV application is not provided by LSIS.

MCCB for DC Application

MCCB PV up to 800A

Temperature Derating

Item	Rated	Derating	Compensated rated current in accordance with ambient temperature (A)								Short Busbar
	current	Current	10	20	30	40	45	50	60	70	
TD100	16	16	16	16	16	16	16	15	14	13	TD160 3t Short Busbar
	20	20	20	20	20	20	19	19	18	18	
	25	25	25	25	25	25	24	23	22	21	
	32	32	32	32	32	32	31	30	28	26	
	40	40	40	40	40	40	39	38	35	33	
	50	50	50	50	50	50	48	47	44	41	
	63	63	63	63	63	63	61	59	56	52	
	80	80	80	80	80	80	78	75	71	66	
	100	100	100	100	100	100	97	94	88	82	
TD160	100	100	100	100	100	100	97	94	88	82	
	125	125	125	125	125	125	121	117	110	103	TD160 5t Short Busbar
	160	135	135	135	135	135	130	125	117	108	
TS100	40	40	40	40	40	40	39	38	35	33	TS250 4t Short Busbar
	50	50	50	50	50	50	48	47	44	41	
	63	63	63	63	63	63	61	59	56	52	
	80	80	80	80	80	80	78	75	71	66	
	100	100	100	100	100	100	97	94	88	82	
TS160	100	100	100	100	100	100	97	94	88	82	TS250 5t Short Busbar
	125	125	125	125	125	125	121	117	110	103	
	160	160	160	160	160	160	155	150	141	131	
TS250	125	125	125	125	125	125	121	117	110	103	TS800 Lower & Upper Short Busbar
	160	160	160	160	160	160	155	150	141	131	
	200	180	180	180	180	180	174	168	157	146	
	250	180	180	180	180	180	174	168	157	146	
TS400	300	300	300	300	300	300	291	281	264	246	TS800 Lower & Upper Short Busbar
	400	400	400	400	400	400	388	375	353	323	
TS630	500	500	500	500	500	500	484	468	439	408	TS800 Lower & Upper Short Busbar
	630	500	500	500	500	500	484	468	439	408	
TS800	700 *	700	700	700	700	700	678	656	616	573	TS800 Lower & Upper Short Busbar
	800	700	700	700	700	700	678	656	616	573	

Note) * Only available for TS800FTU

4 pole MCCB with electronic trip unit

Products application & Function

- N-R-S-T and R-S-T-N Type for consideration of application field
- Full line up with 100~800AF
- 4P4D for N phase protection type
- Max. breaking capacity 150kA@415V
- KEMA type test and CE certification



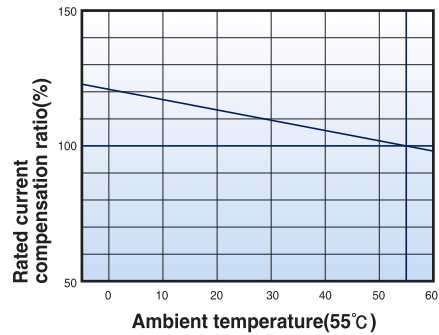
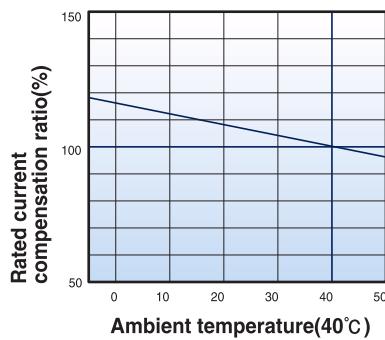
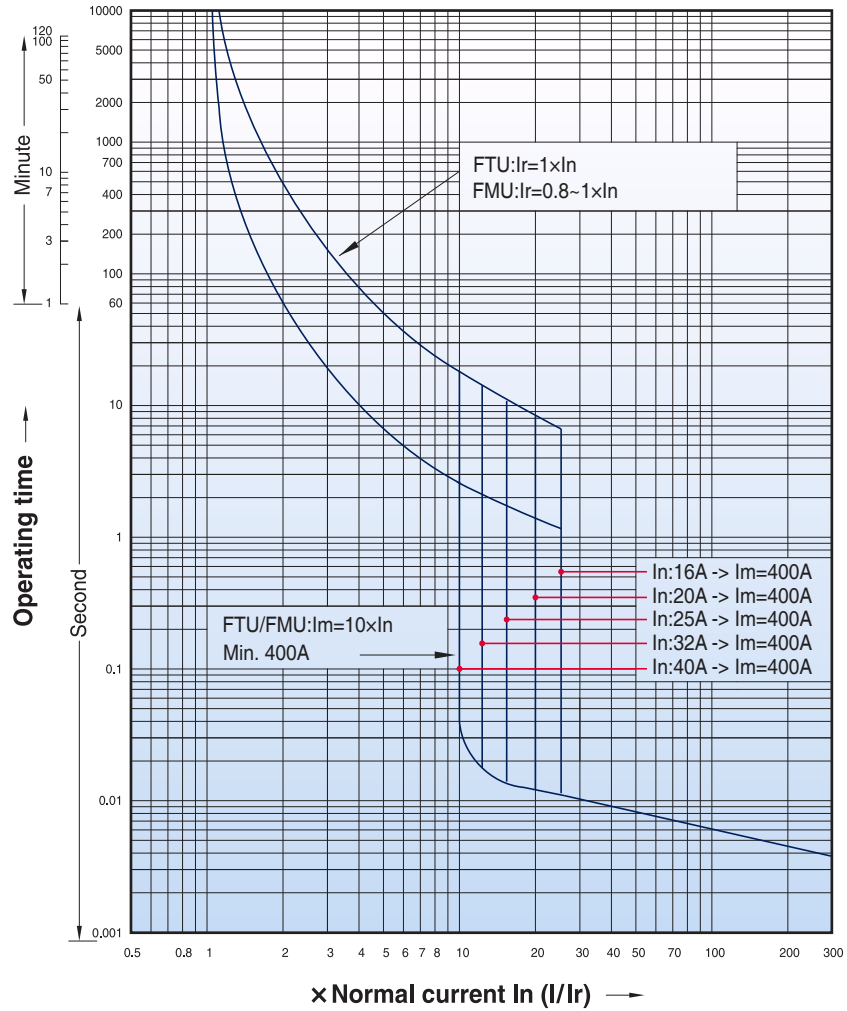
Designation		TS100, TS160, TS250			TS400, TS630			TS800		
Type		N / H / L			N / H / L			N / H / L		
Rated current		40, 80, 160, 250A			160, 250, 400, 630A			630, 800A		
Poles		4 (N-R-S-T, R-S-T-N)			4 (N-R-S-T, R-S-T-N)			4 (N-R-S-T, R-S-T-N)		
Insulation voltage, Ui		AC750V			AC750V			AC750V		
Impulse withstand voltage, Uimp		8kV			8kV			8kV		
Short-circuit breaking capacity, Icu		N	H	L	N	H	L	N	H	L
AC 50/60Hz	220/240V	100	120	200	100	120	200	100	120	200
	380/415V	50	85	150	50	85	150	50	85	150
	440/460V	50	70	130	50	70	130	50	70	130
	480/500V	42	65	85	42	65	85	42	65	85
	660/690V	10	15	20	10	15	20	10	15	20
Ics		100% Icu			100% Icu			100% Icu		
Utilization category		A			A			A		
Reverse connection (Line/Load)		Available			Available			Available		
Tripping device		Electronics			Electronics			Electronics		
		ETS			ETS & ETM			ETS & ETM		
Thermal		ETS: Ir = 0.4~1.0 In (13settings)			ETS: Ir = 0.4~1.0 In (13settings)			ETS: Ir = 0.4~1.0 In (13settings)		
	Io, Ir	ETS: Ir = 0.4~1.0 In (13settings)			ETM: Io = 0.5~1.0 In (6settings) Ir = 0.8~1.0 Io (5settings)			ETM: Io = 0.5~1.0 In (6settings) Ir = 0.8~1.0 Io (5settings)		
	tr (6Ir)	ETS: 6sec at 6Ir (fixed)			ETS: 6sec at 6Ir (fixed)			ETS: 6sec at 6Ir (fixed)		
					ETM: 12sec at 6Ir (5settings)			ETM: 12sec at 6Ir (5settings)		
Instant.		ETS: 1.5~10 Ir (9settings)			ETS, ETM: 1.5~10 Ir (9settings)			ETS, ETM: 1.5~10 Ir (9settings)		
	It 12	In			12 In			12 In		
Neutral protection		No protection			No protection			No protection		
	4P3d	0.5 Ir			0.5 Ir			0.5 Ir		
	4P3d+N/2	1.0 Ir			1.0 Ir			1.0 Ir		
	4P4d									
Cable		10mm ² or 8 AWG(40A)			70mm ² (160A)			185mm ² 2 / 350 kcmil 2(630A)		
	Min	120mm ² or 250kcmil(250A)			185mm ² 2 / 350 kcmil 2(630A)			240mm ² 2(800A)		
	Max									
Tightening Torque		Hex.Socket bolt (M8): 6N.m			Hex.Socket bolt (M10): 10N.m			Hex. Socket bolt (M12): 14N.m		
MCCB (W H D)		140 160 86			186.5 260 110			280 320 135		

※ Breaking capacity at 660/690V is for your reference. (not certified)

Characteristics curves

Circuit breakers with thermal-magnetic trip units

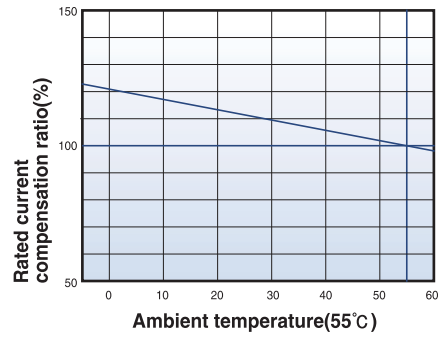
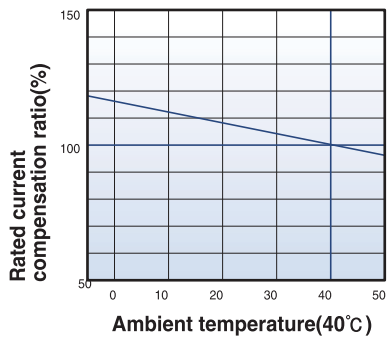
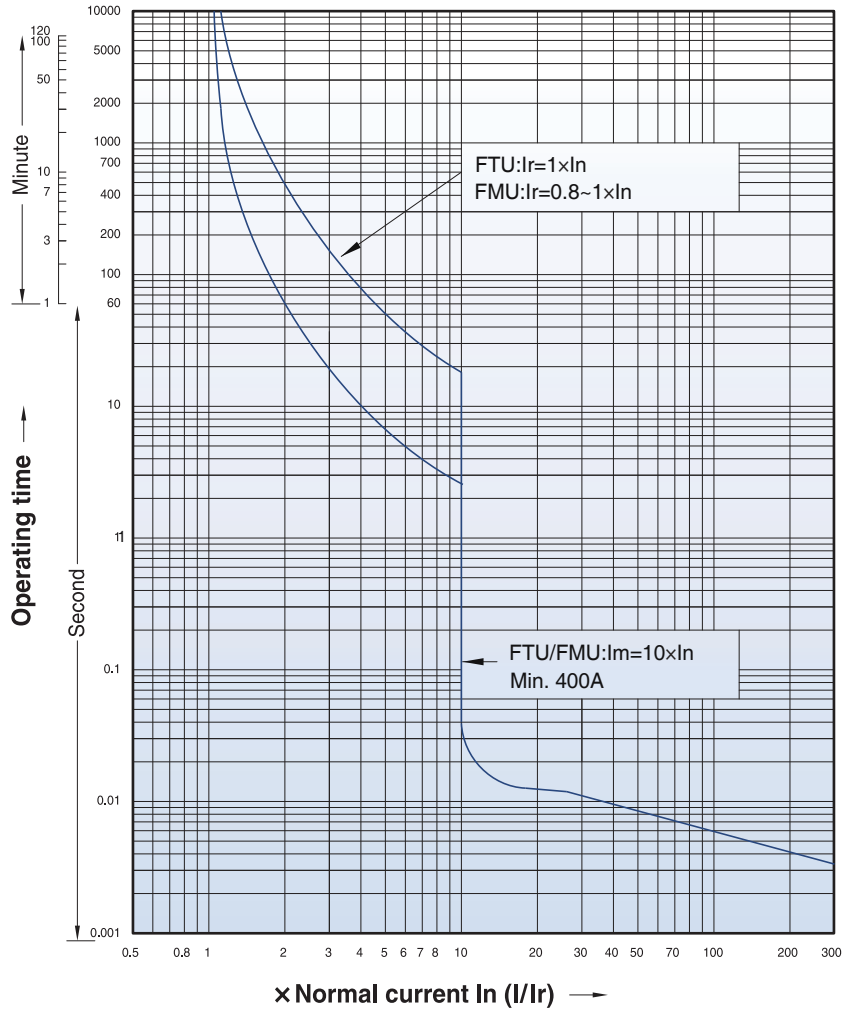
TE100
FTU
FMU
16~100A



Characteristics curves

Circuit breakers with thermal-magnetic trip units

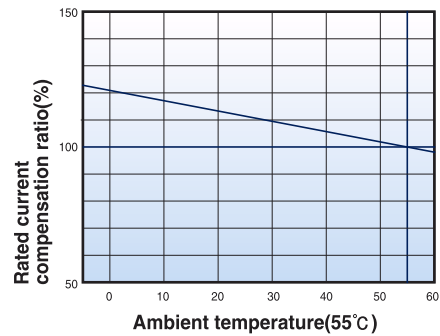
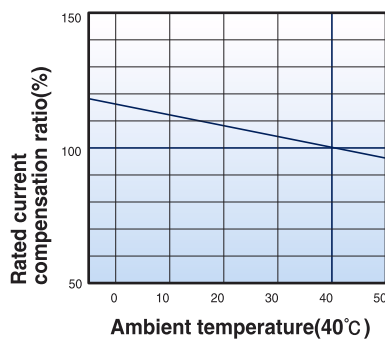
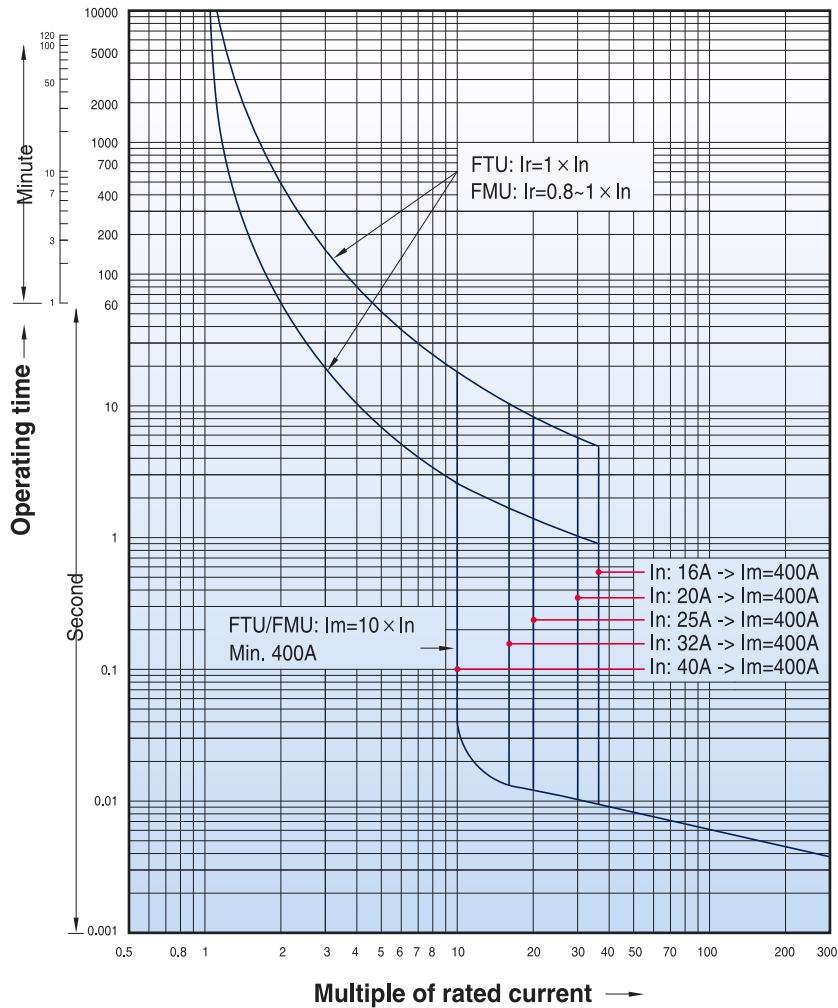
TE160
FTU
FMU
100~160A



Characteristics curves

Circuit breakers with thermal-magnetic trip units

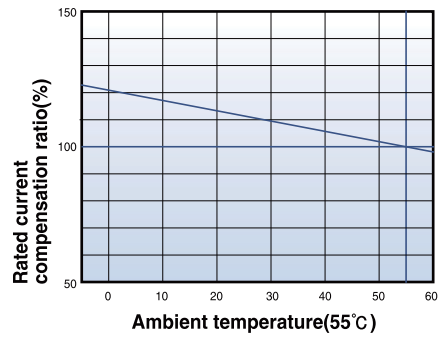
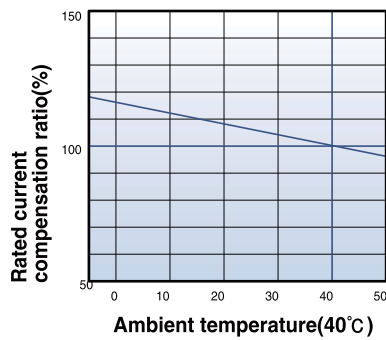
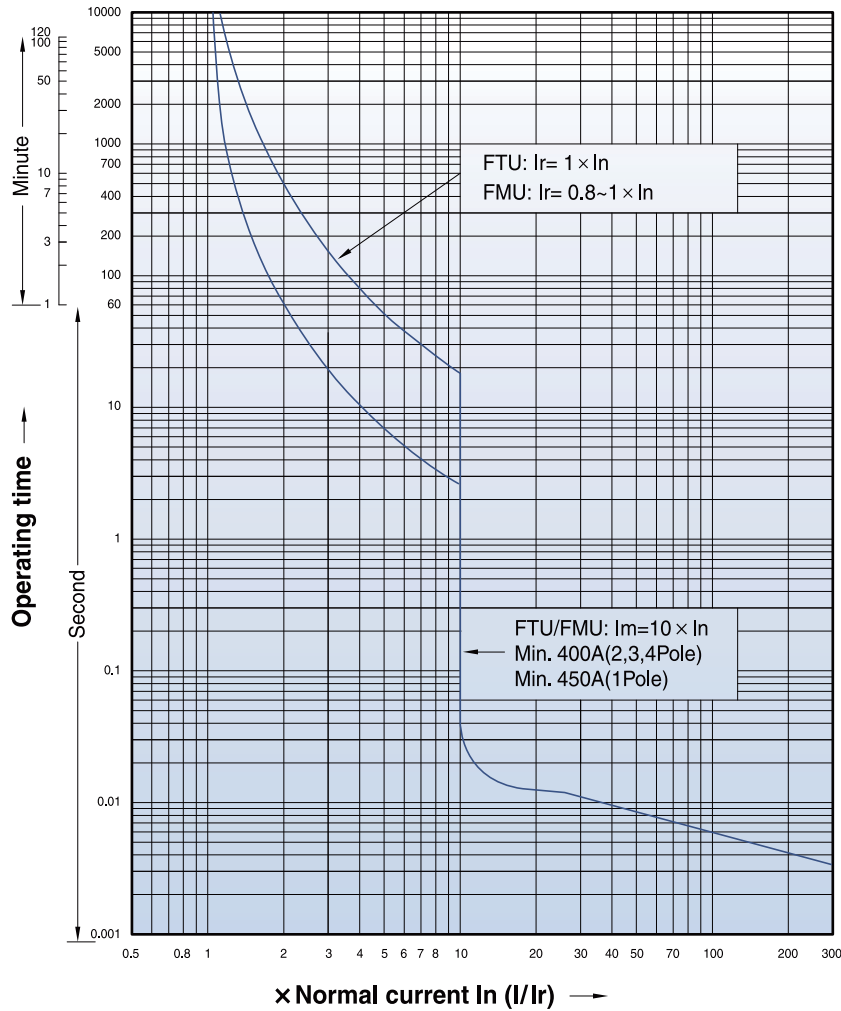
TD100
FTU
FMU
16~100A



Characteristics curves

Circuit breakers with thermal-magnetic trip units

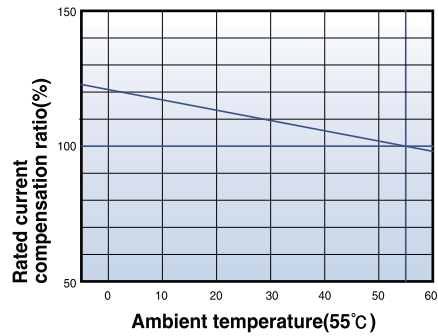
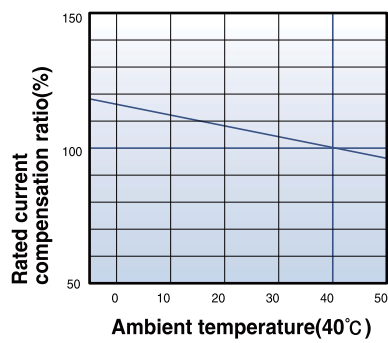
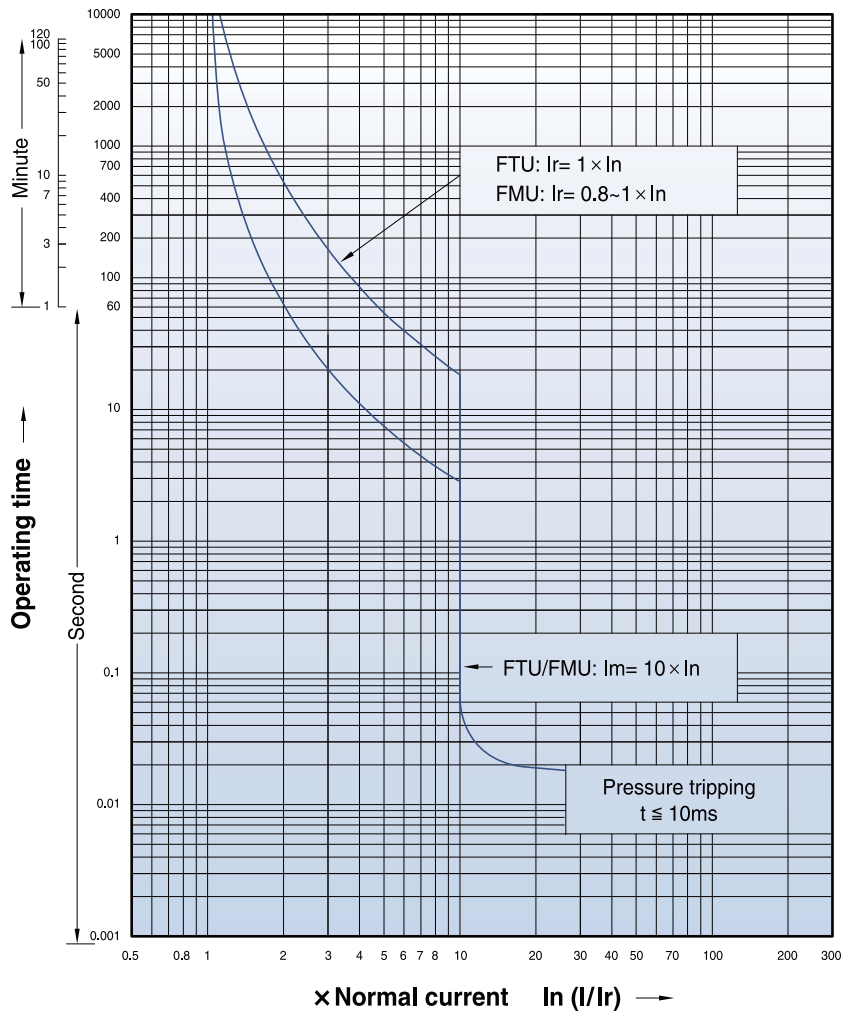
TD160
FTU
FMU
100~160A



Characteristics curves

Circuit breakers with thermal-magnetic trip units

TS100
FTU
FMU
40-100A

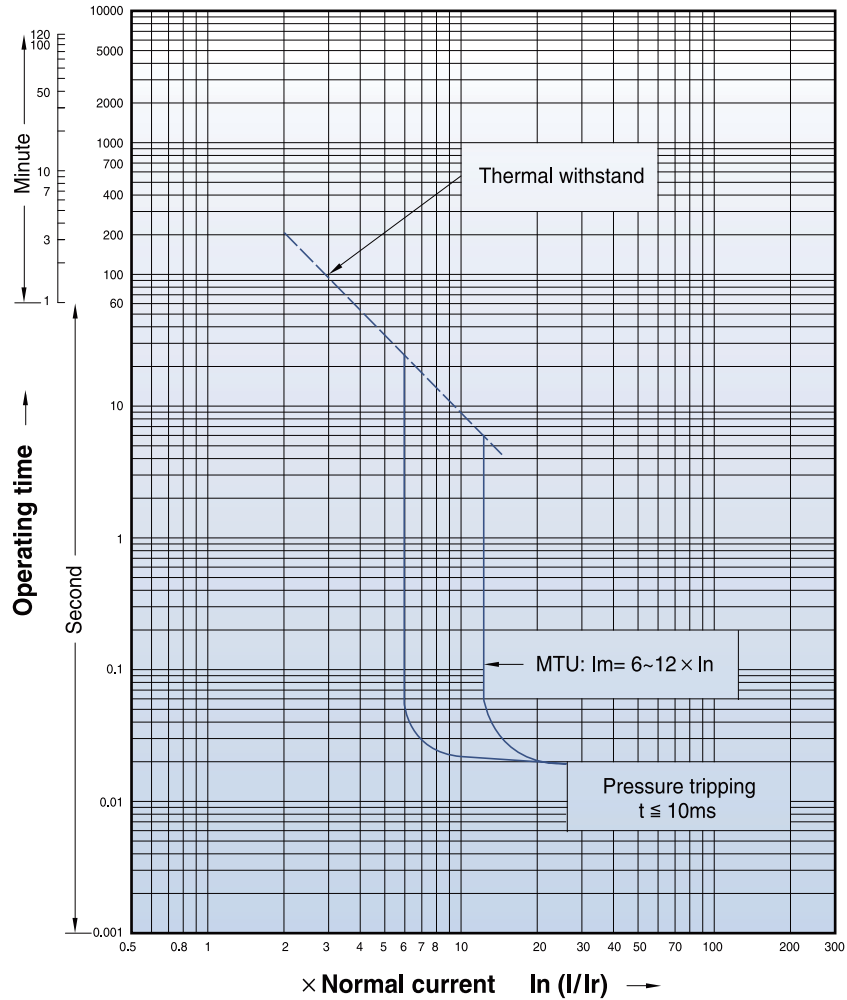


Characteristics curves

Circuit breakers with magnetic only trip units

TS100
Magnetic only
MTU
1.6~100A

TS160
Magnetic only
MTU
32~160A



Magnetic trip units(MTU)

Rating(A)		I_n
N / H / L	TS100	
	TS160	
	TS250	
	TS400	
	TS630	
	TS800	

TS100 to TS800													
1.6	3.2	6.3	12	20	32	50	63	100	160	220	320	500	630
●	●	●	●	●	●	●	●	●	-	-	-	-	-
-	-	-	-	-	●	●	●	●	●	-	-	-	-
-	-	-	-	-	-	-	-	●	●	●	-	-	-
-	-	-	-	-	-	-	-	-	-	-	●	-	-
-	-	-	-	-	-	-	-	-	-	-	-	●	-
-	-	-	-	-	-	-	-	-	-	-	-	-	●

Short - circuit protection(magnetic)

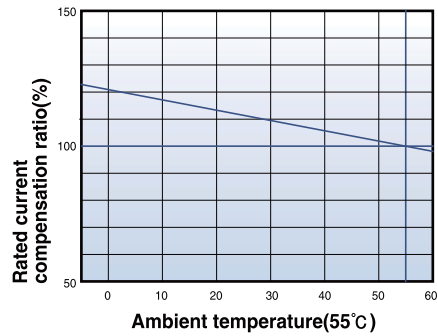
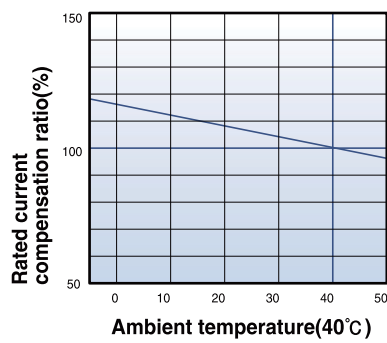
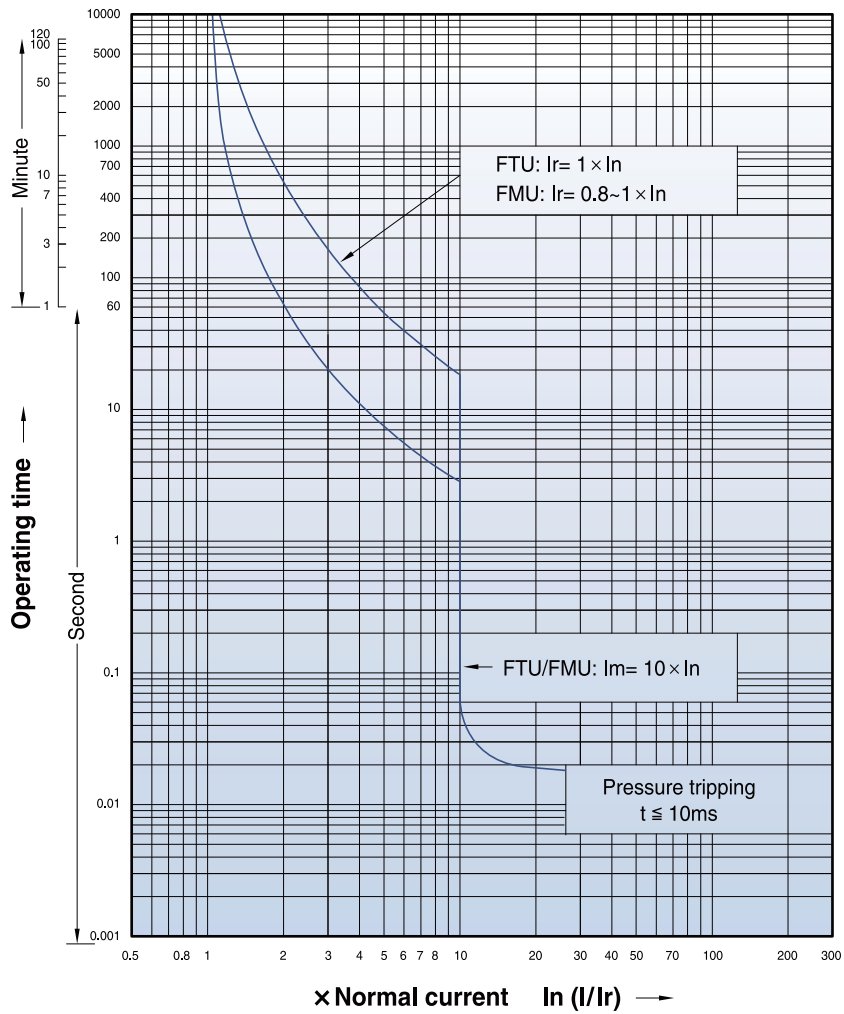
Pick - up	I_m
-----------	-------

Setting
$6..12 \times I_n$ (6 Point)

Characteristics curves

Circuit breakers with thermal-magnetic trip units

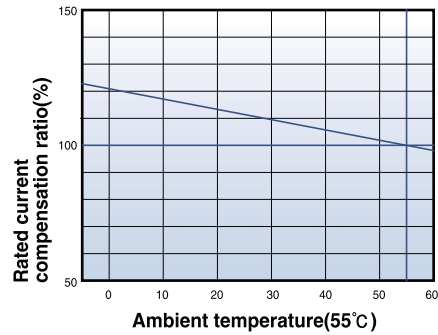
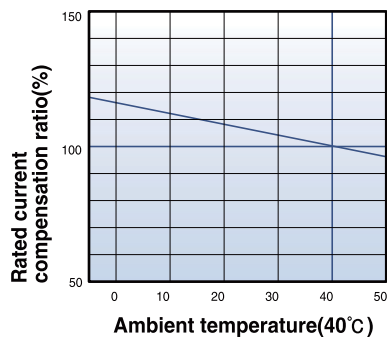
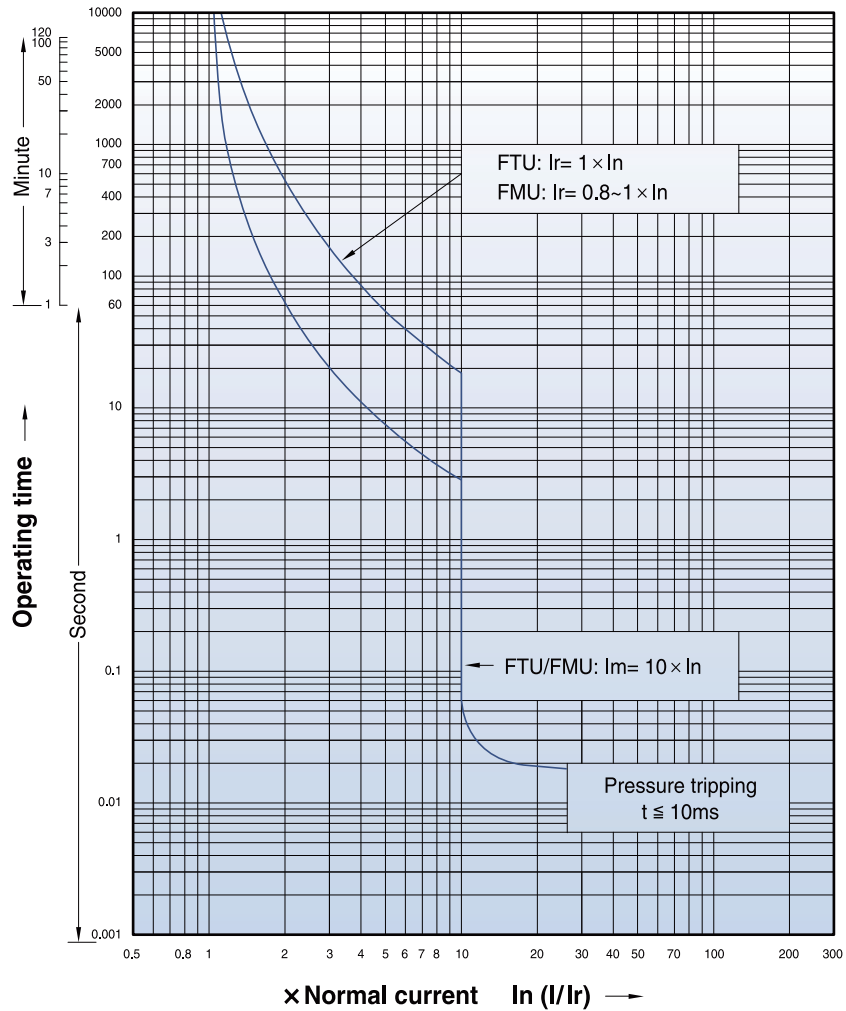
TS160
FTU
FMU
100, 125, 160A



Characteristics curves

Circuit breakers with thermal-magnetic trip units

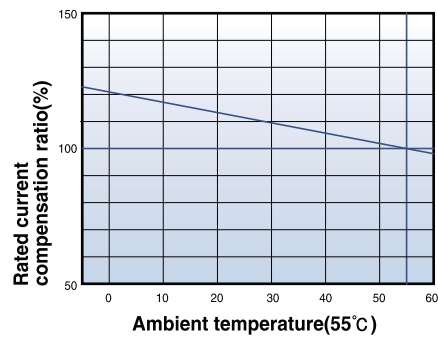
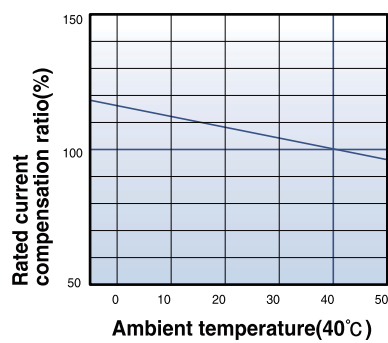
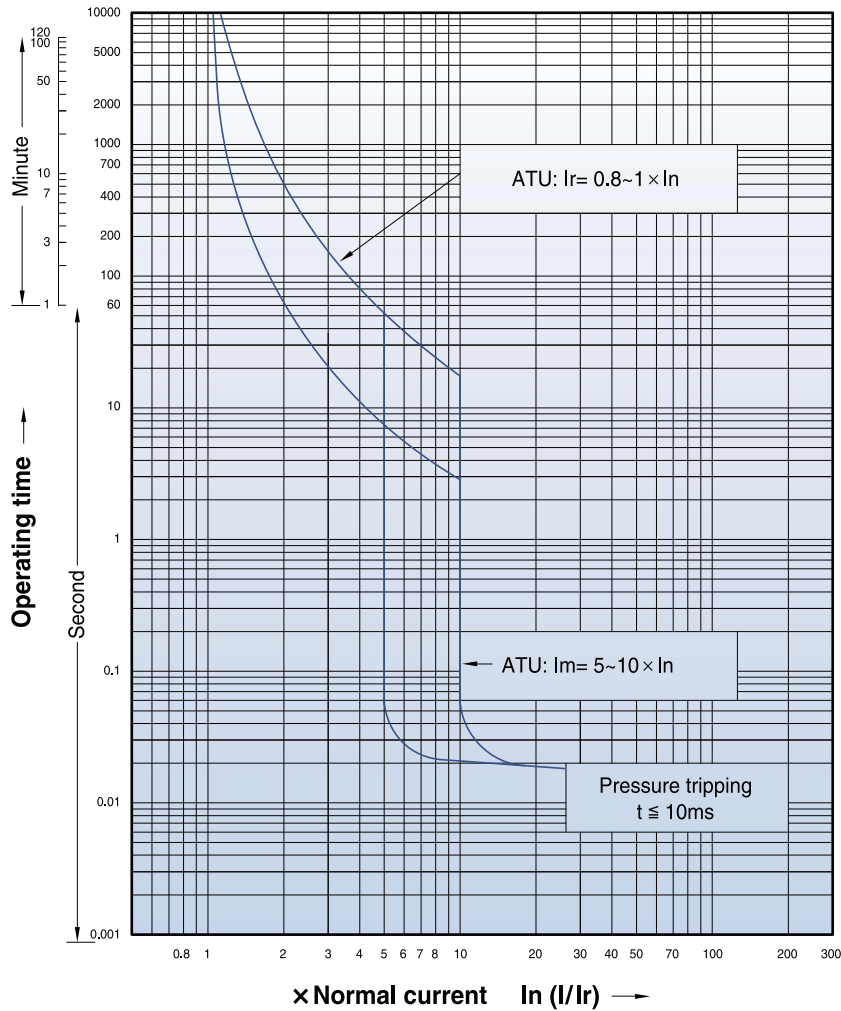
TS250
FTU
FMU
125~250A



Characteristics curves

Circuit breakers with thermal-magnetic trip units

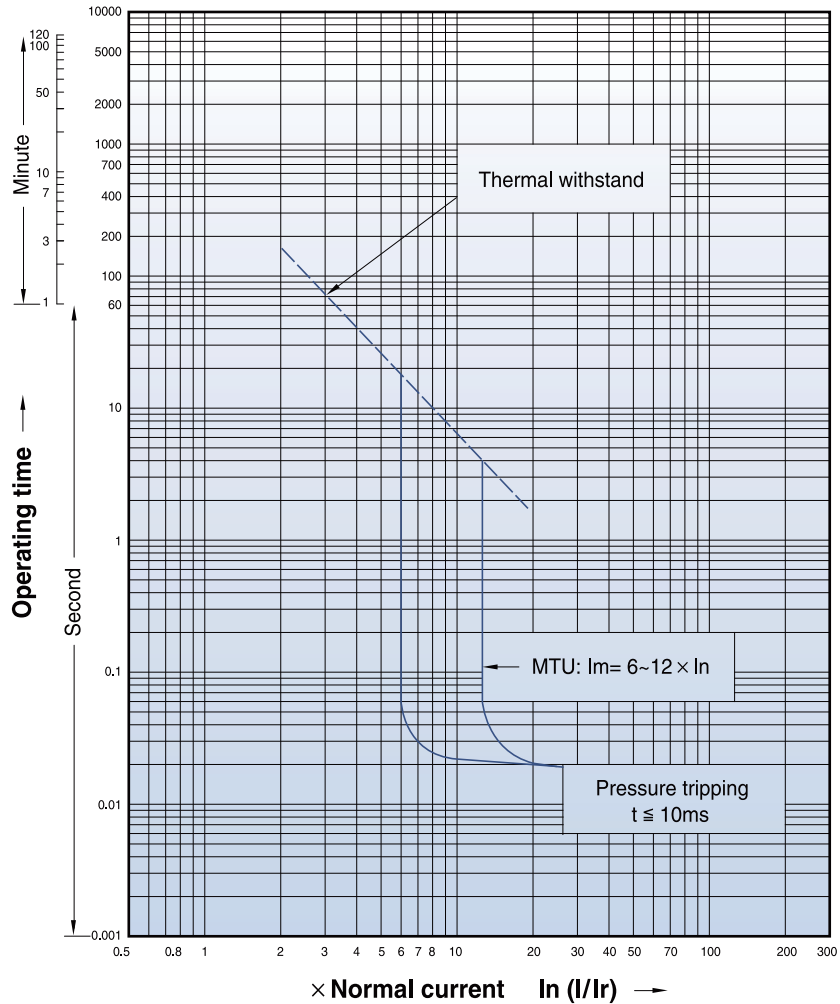
TS250
ATU
125~250A



Characteristics curves

Circuit breakers with magnetic only trip units

TS250
Magnetic only
MTU
100, 160, 220A



Magnetic trip units(MTU)

Rating(A)		In
N / H / L	TS100	
	TS160	
	TS250	
	TS400	
	TS630	
	TS800	

TS100 to TS800													
1.6	3.2	6.3	12	20	32	50	63	100	160	220	320	500	630
●	●	●	●	●	●	●	●	●	-	-	-	-	-
-	-	-	-	-	●	●	●	●	●	-	-	-	-
-	-	-	-	-	-	-	-	●	●	●	-	-	-
-	-	-	-	-	-	-	-	-	-	-	●	-	-
-	-	-	-	-	-	-	-	-	-	-	-	●	-
-	-	-	-	-	-	-	-	-	-	-	-	-	●

Short - circuit protection(magnetic)

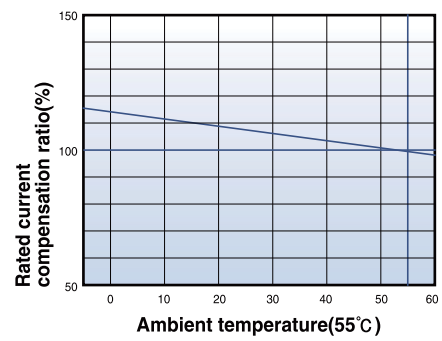
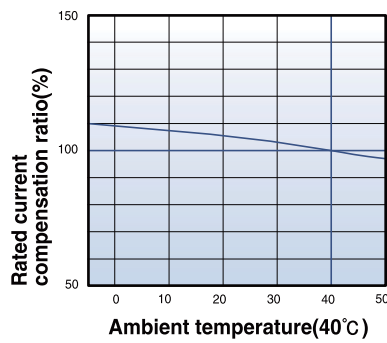
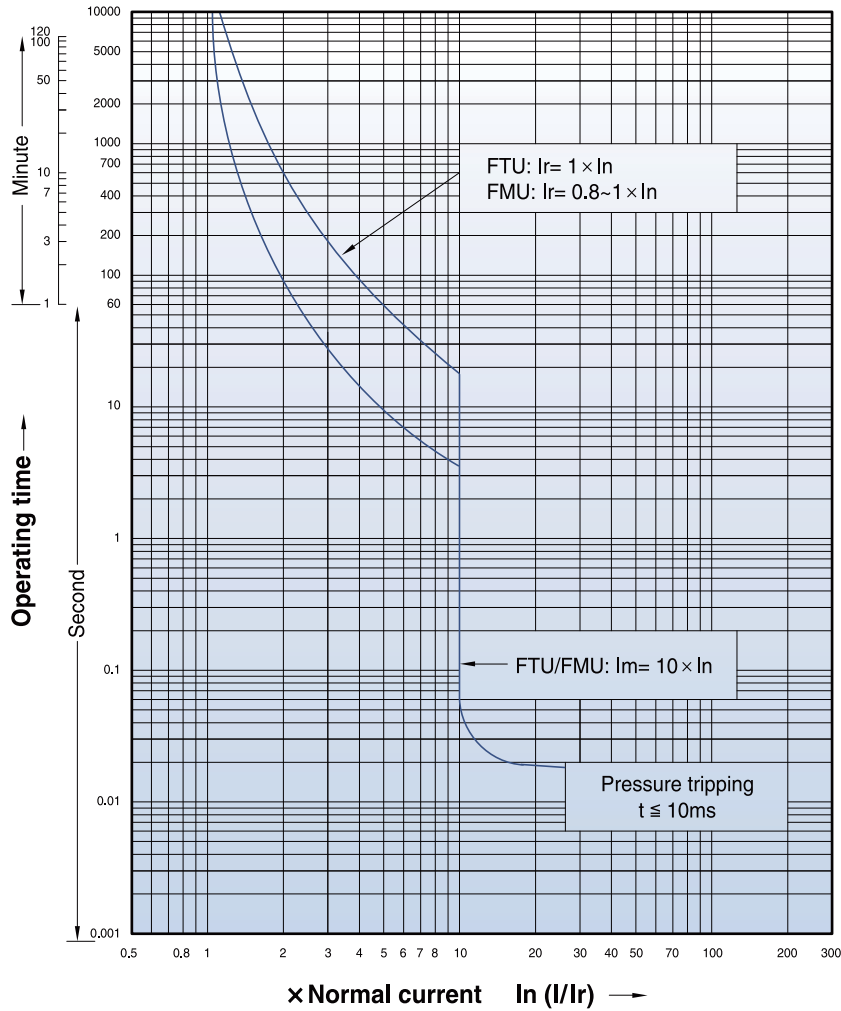
Pick - up	Im

Setting
6..12 × In (6 Point)

Characteristics curves

Circuit breakers with thermal-magnetic trip units

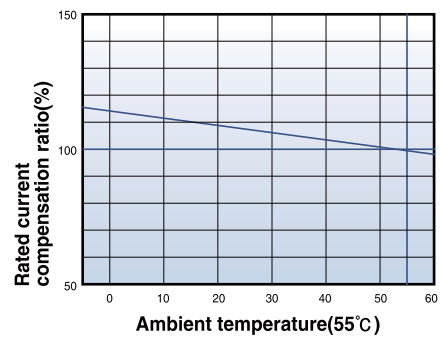
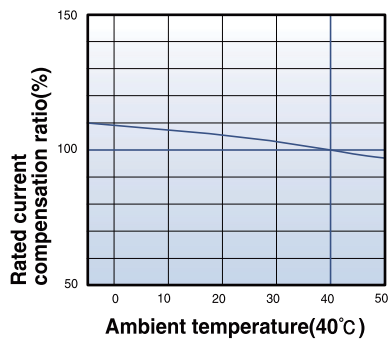
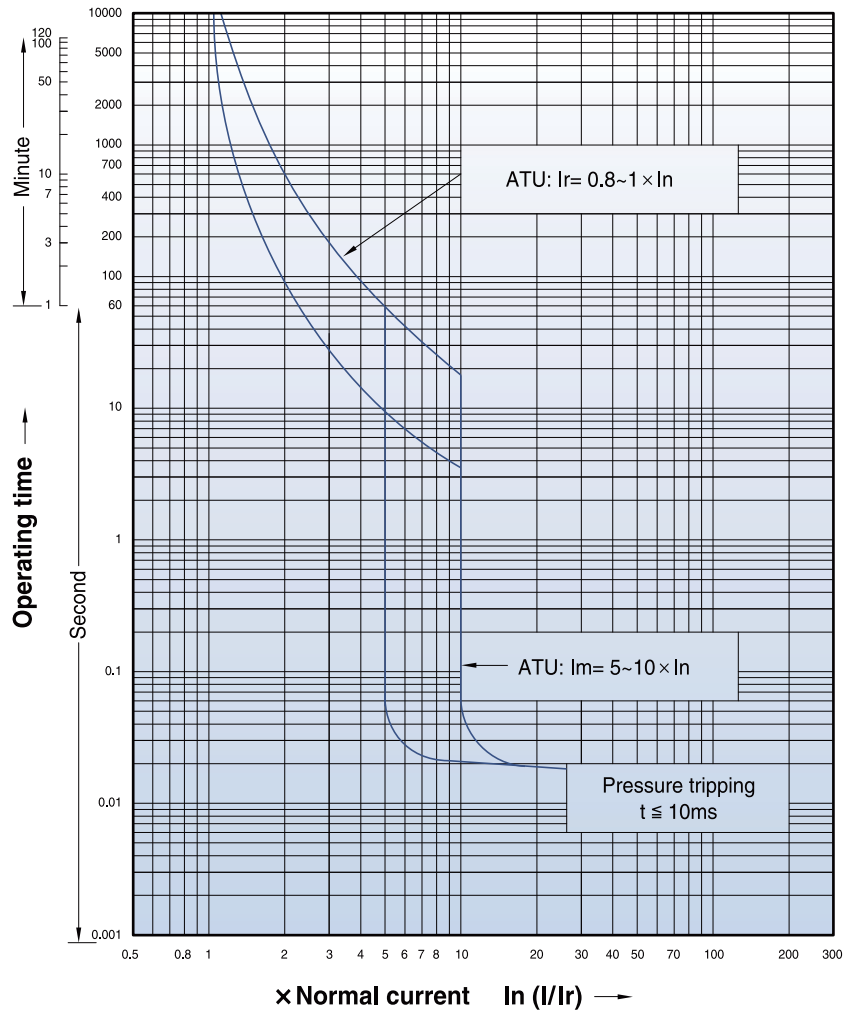
TS400
FTU
FMU
300, 400A



Characteristics curves

Circuit breakers with thermal-magnetic trip units

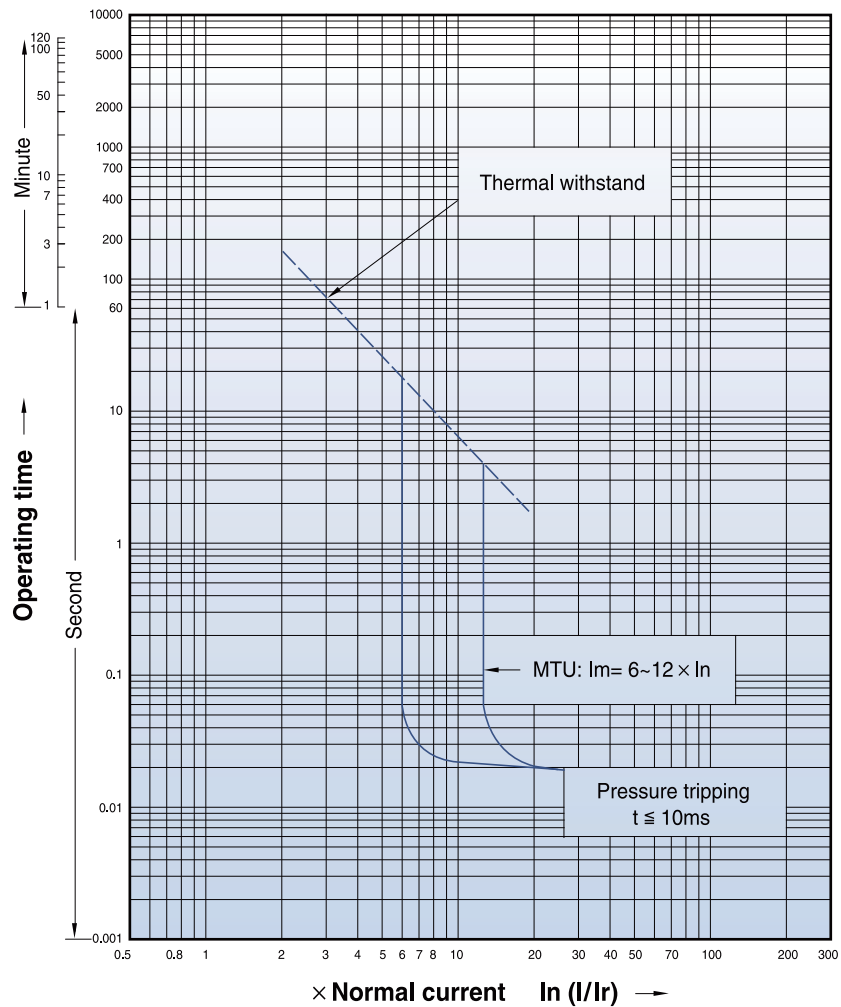
TS400
ATU
300, 400A



Characteristics curves

Circuit breakers with magnetic only trip units

TS400
MTU
320A



Magnetic trip units(MTU)

Rating(A)		In
N / H / L	TS100	
	TS160	
	TS250	
	TS400	
	TS630	
	TS800	

TS100 to TS800													
1.6	3.2	6.3	12	20	32	50	63	100	160	220	320	500	630
●	●	●	●	●	●	●	●	●	-	-	-	-	-
-	-	-	-	-	●	●	●	●	●	-	-	-	-
-	-	-	-	-	-	-	-	●	●	●	-	-	-
-	-	-	-	-	-	-	-	-	-	-	●	-	-
-	-	-	-	-	-	-	-	-	-	-	-	●	-
-	-	-	-	-	-	-	-	-	-	-	-	-	●

Short - circuit protection(magnetic)

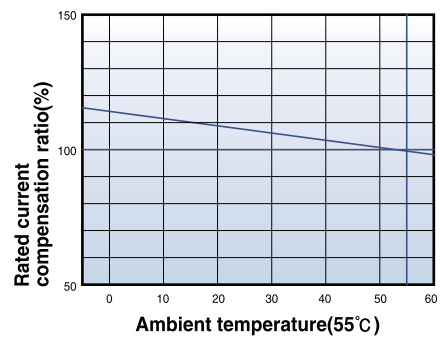
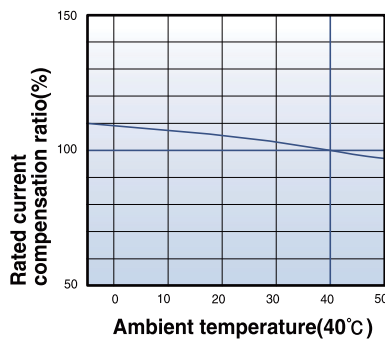
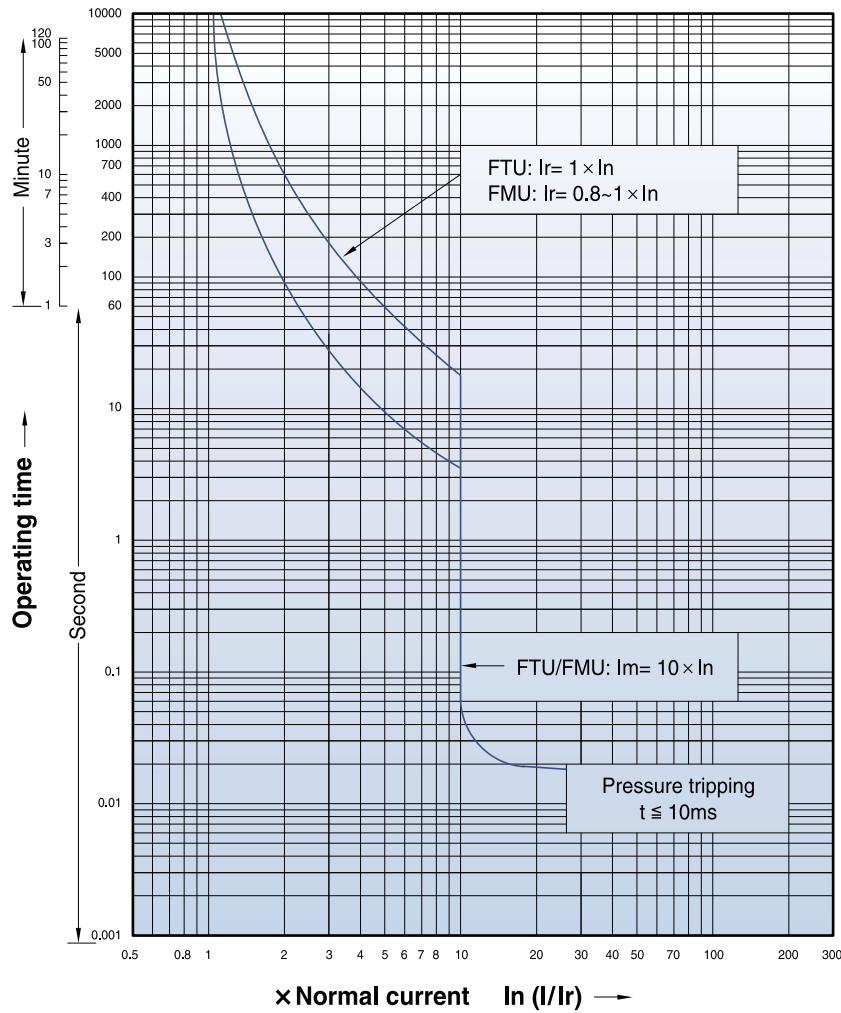
Pick - up	Im
-----------	----

Setting
6..12 × In (6 Point)

Characteristics curves

Circuit breakers with thermal-magnetic trip units

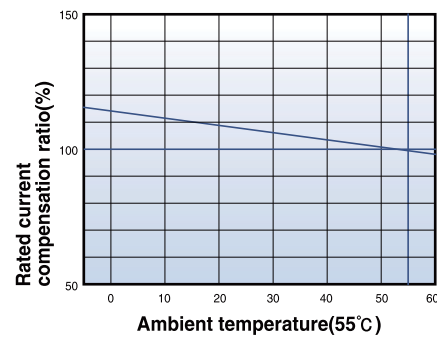
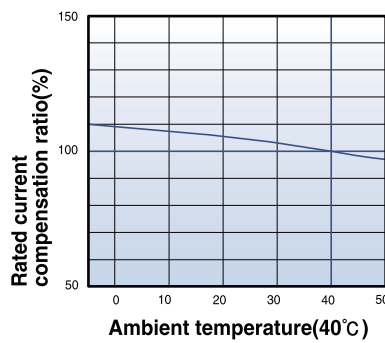
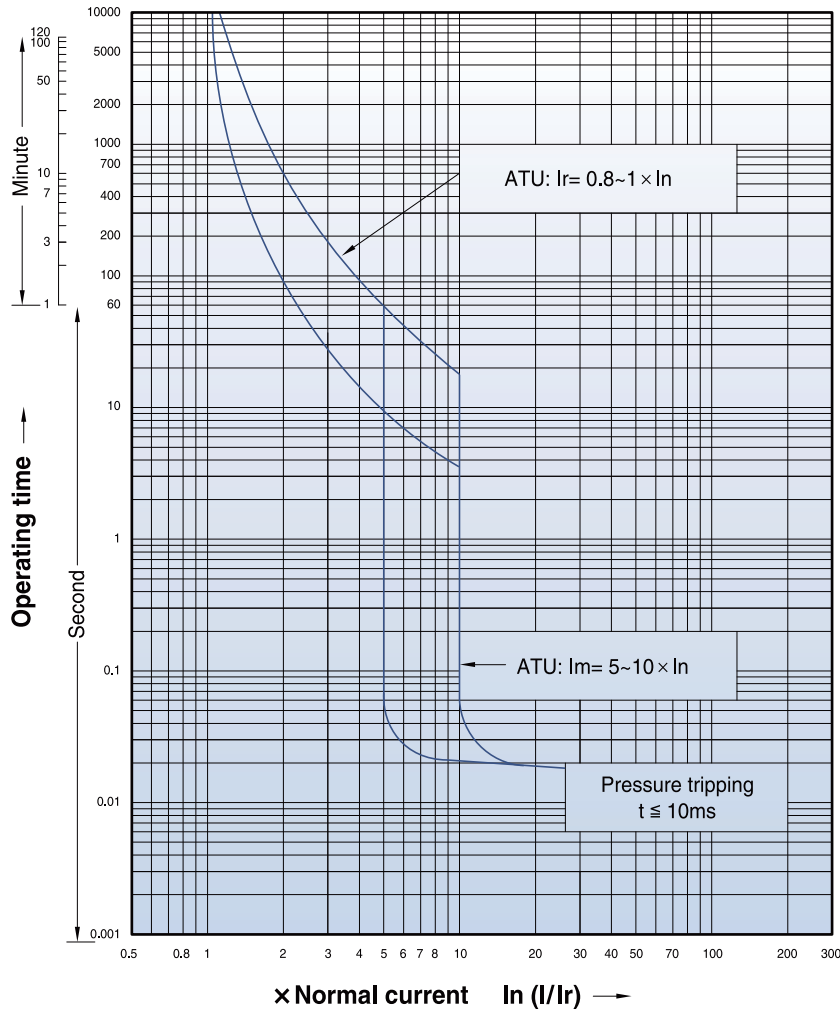
TS630
FTU
FMU
500, 630A



Characteristics curves

Circuit breakers with thermal-magnetic trip units

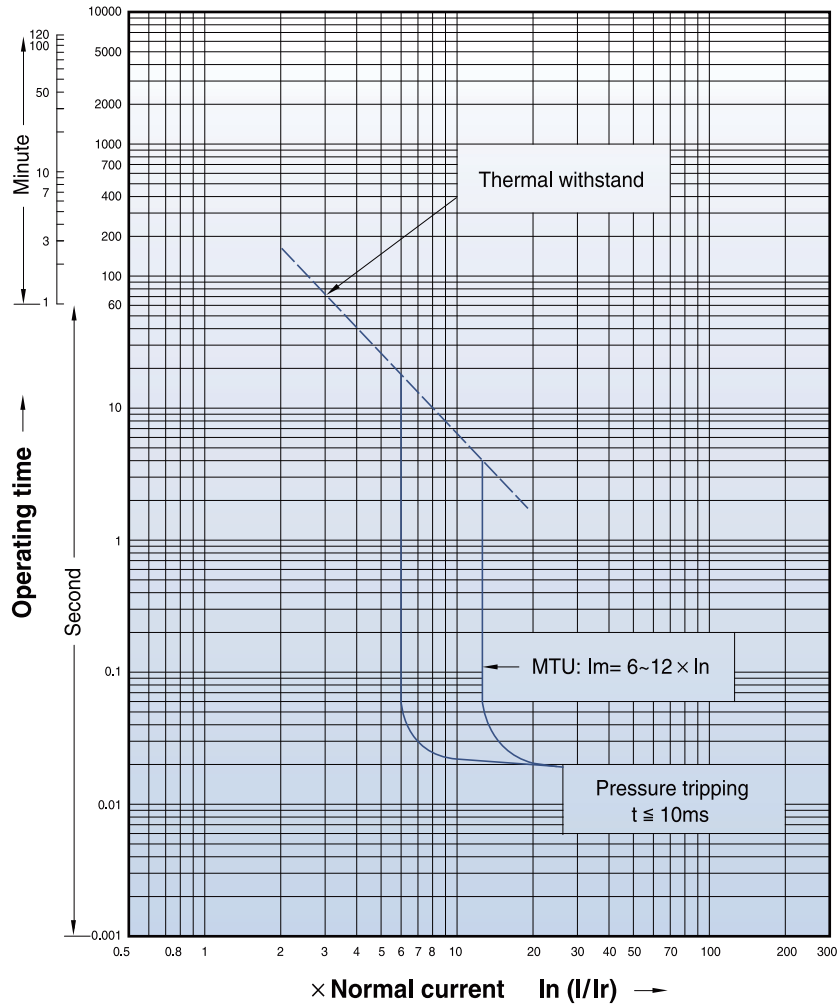
TS630
ATU
500, 630A



Characteristics curves

Circuit breakers with magnetic only trip units

TS630
MTU
500A



Magnetic trip units(MTU)

Rating(A)		In
N / H / L	TS100	
	TS160	
	TS250	
	TS400	
	TS630	
	TS800	

TS100 to TS800													
1.6	3.2	6.3	12	20	32	50	63	100	160	220	320	500	630
●	●	●	●	●	●	●	●	●	-	-	-	-	-
-	-	-	-	-	●	●	●	●	●	-	-	-	-
-	-	-	-	-	-	-	-	●	●	●	-	-	-
-	-	-	-	-	-	-	-	-	-	-	●	-	-
-	-	-	-	-	-	-	-	-	-	-	-	●	-
-	-	-	-	-	-	-	-	-	-	-	-	-	●

Short - circuit protection(magnetic)

Pick - up	Im
-----------	----

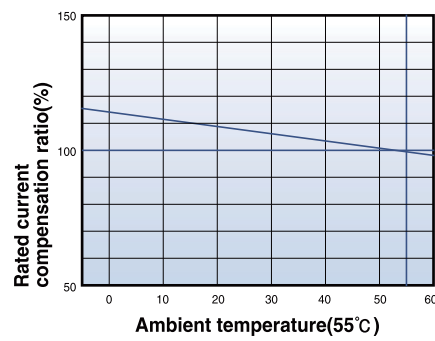
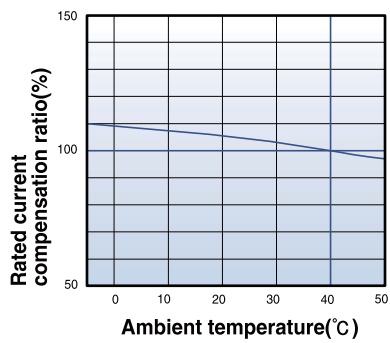
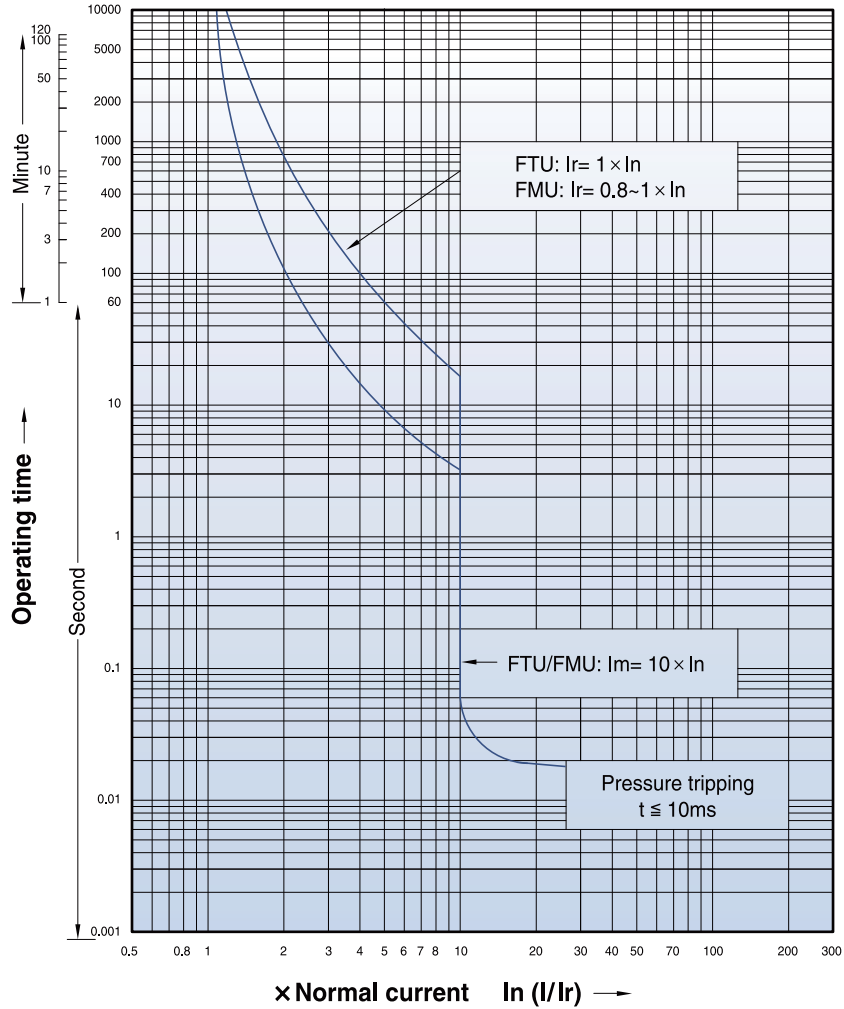
Setting
6..12 × In (6 Point)

Characteristics curves

Circuit breakers with thermal-magnetic trip units

TS800
FTU
 700, 800A

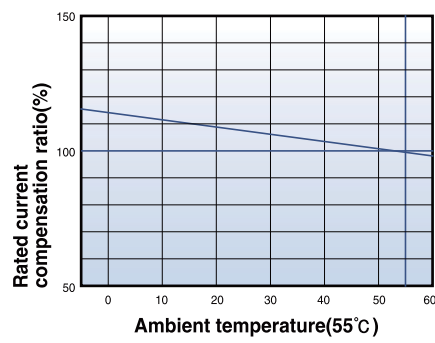
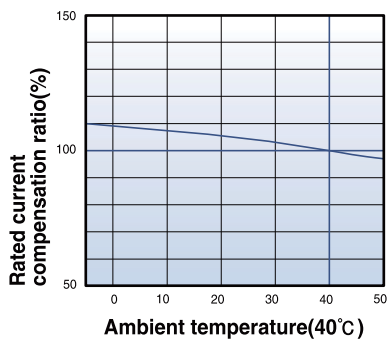
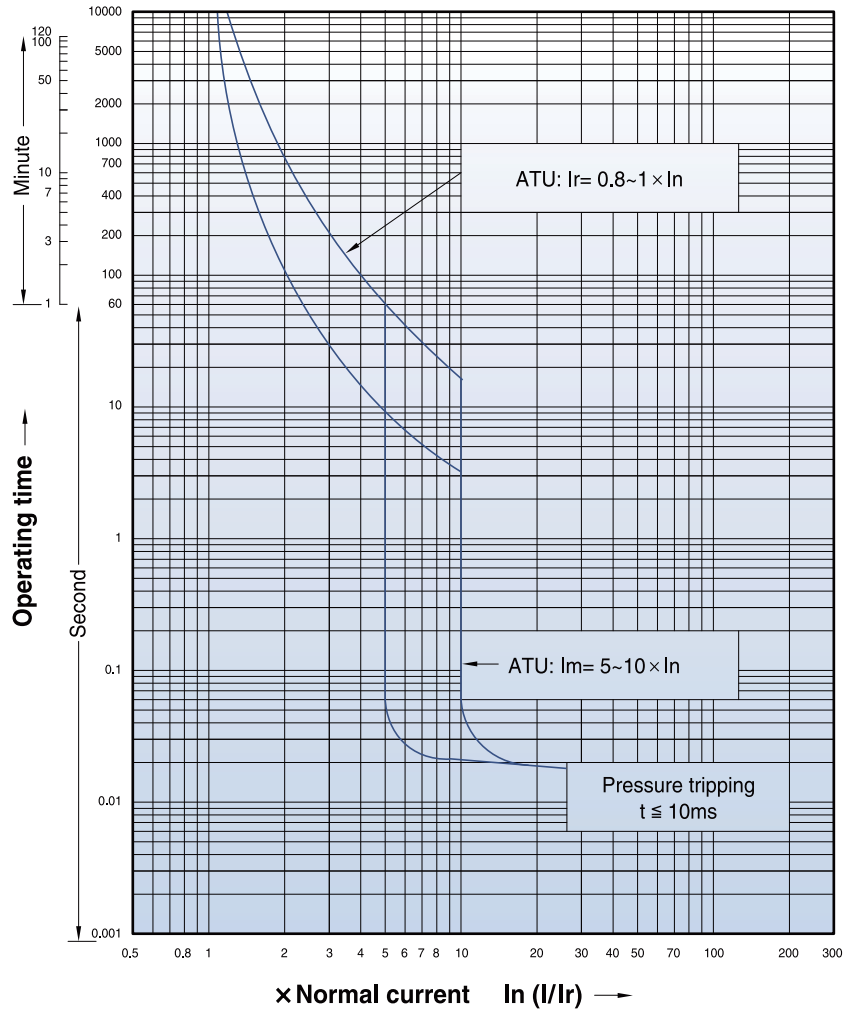
FMU
 800A



Characteristics curves

Circuit breakers with thermal-magnetic trip units

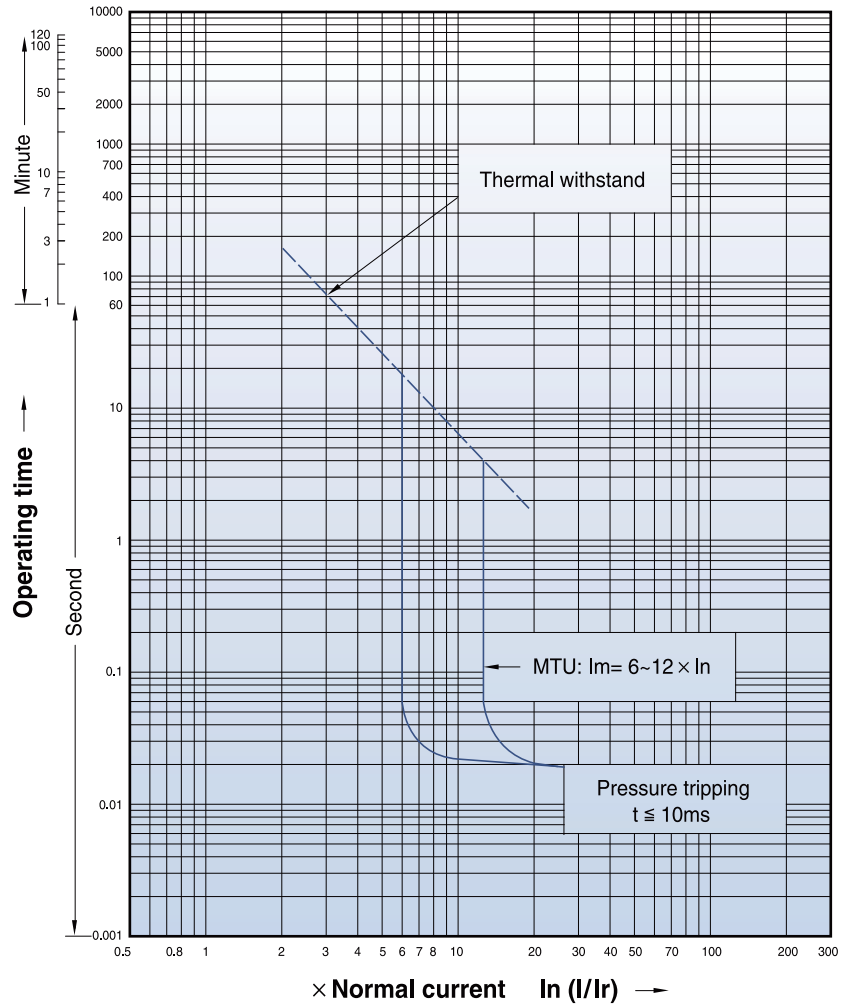
TS800
ATU
800A



Characteristics curves

Circuit breakers with magnetic only trip units

TS800
MTU
630A



Magnetic trip units(MTU)

Rating(A)		In
N / H / L	TS100	
	TS160	
	TS250	
	TS400	
	TS630	
	TS800	

TS100 to TS800													
1.6	3.2	6.3	12	20	32	50	63	100	160	220	320	500	630
●	●	●	●	●	●	●	●	●	-	-	-	-	-
-	-	-	-	-	●	●	●	●	●	-	-	-	-
-	-	-	-	-	-	-	-	●	●	●	-	-	-
-	-	-	-	-	-	-	-	-	-	-	●	-	-
-	-	-	-	-	-	-	-	-	-	-	-	●	-
-	-	-	-	-	-	-	-	-	-	-	-	-	●

Short - circuit protection(magnetic)

Pick - up	Im
-----------	----

Setting
6..12 × In (6 Point)

Characteristics curves

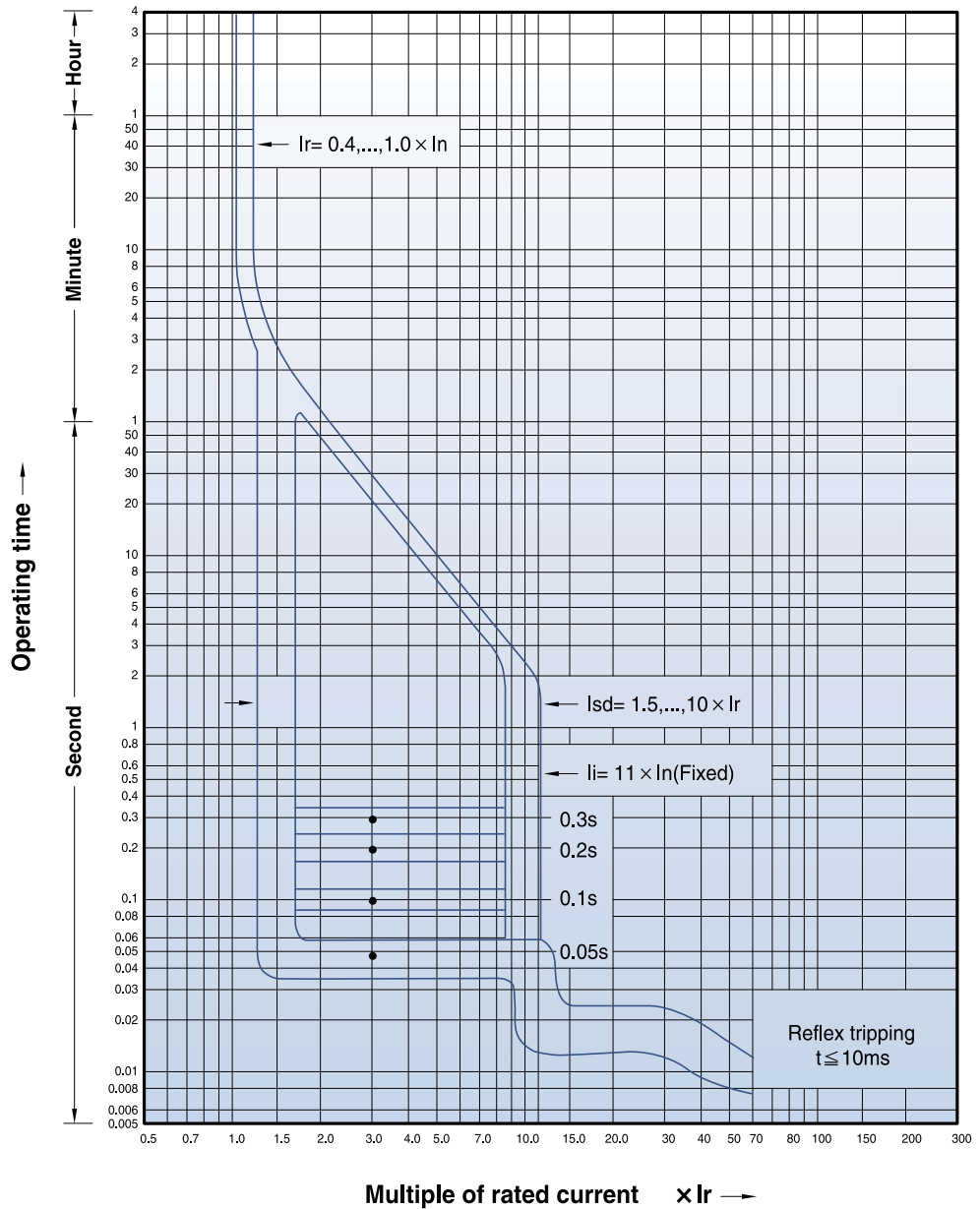
Circuit breakers with electronic trip unit (ETS)

TS100 to TS800

ETS23

ETS33

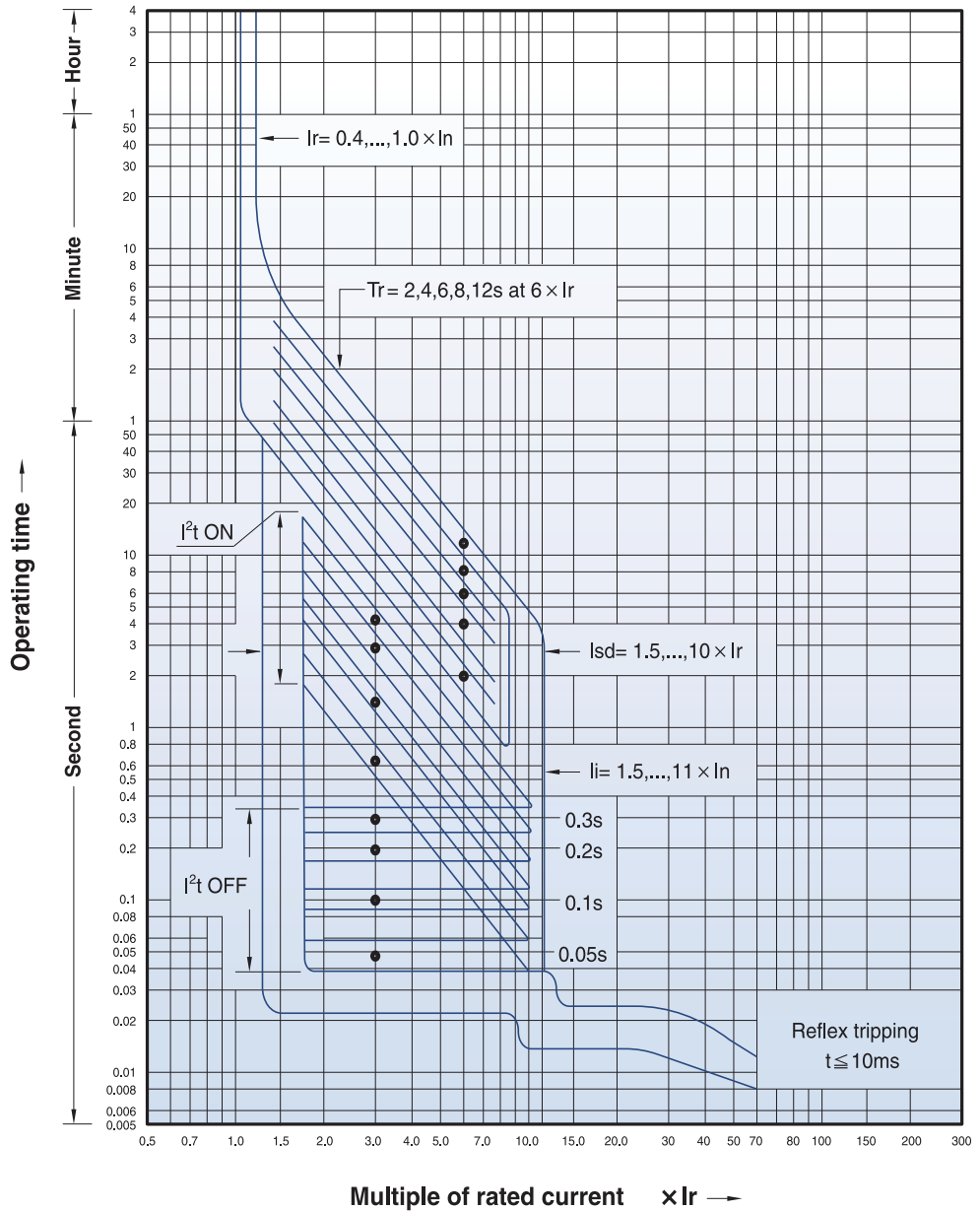
ETS43



Characteristics curves

Circuit breakers with electronic trip unit (ETM)

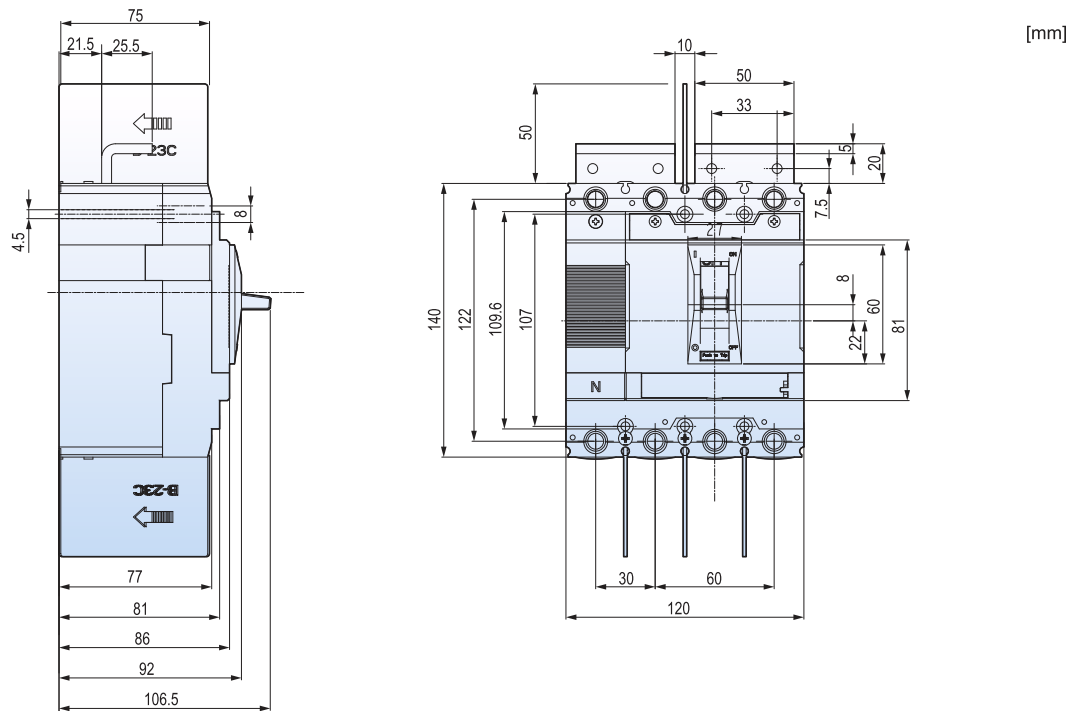
TS400
TS630
TS800
 ETM33
 ETM43



Overall dimensions (DC 1000V PV MCCB)

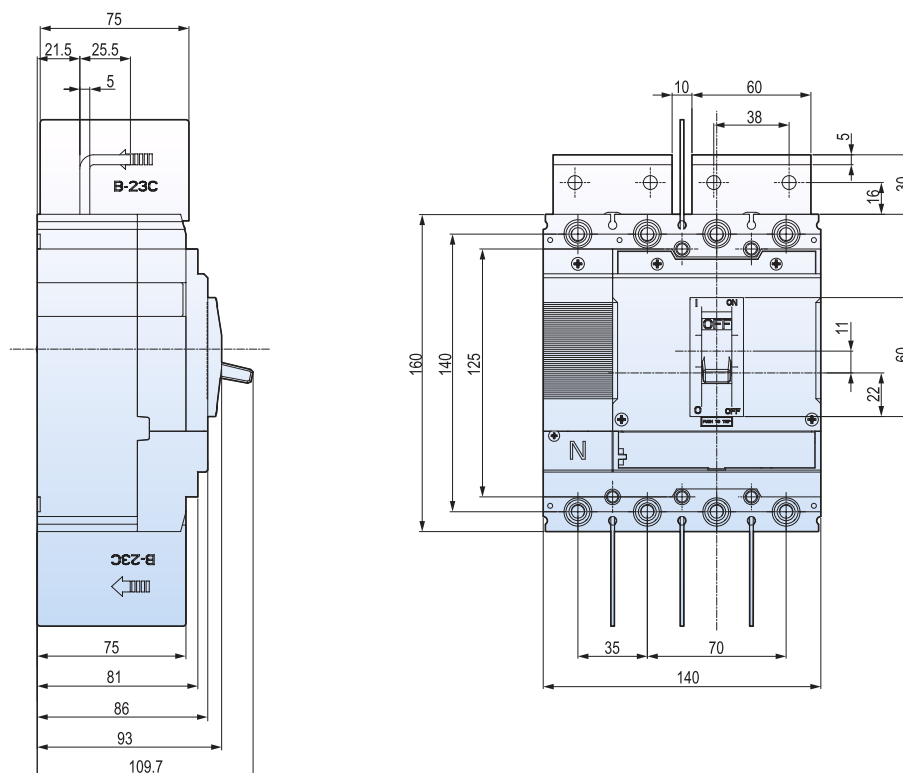
TD160

Dimension of MCCB with short BUSBAR



TS250

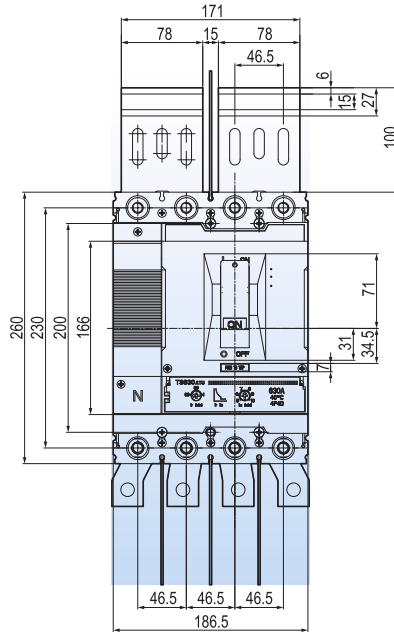
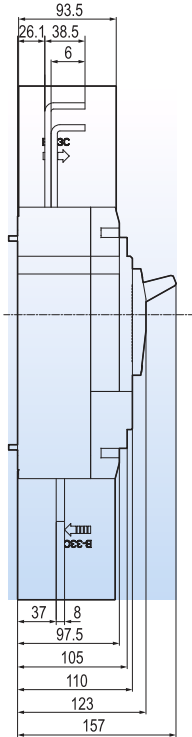
Dimension of MCCB with short BUSBAR



Overall dimensions (DC 1000V PV MCCB)

TS630

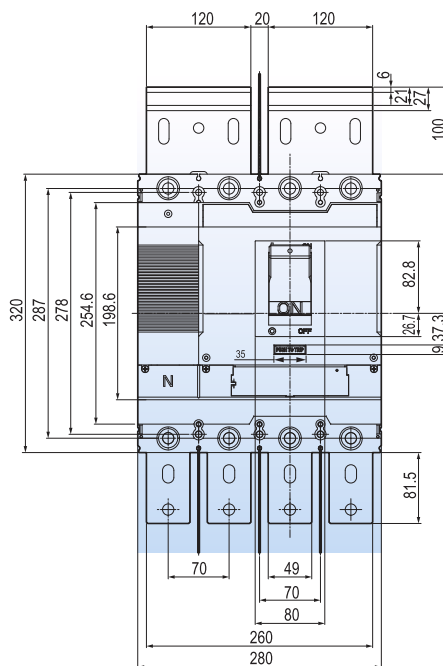
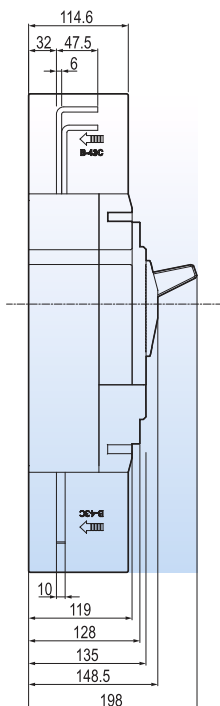
Dimension of MCCB with short BUSBAR



[mm]

TS800

Dimension of MCCB with short BUSBAR



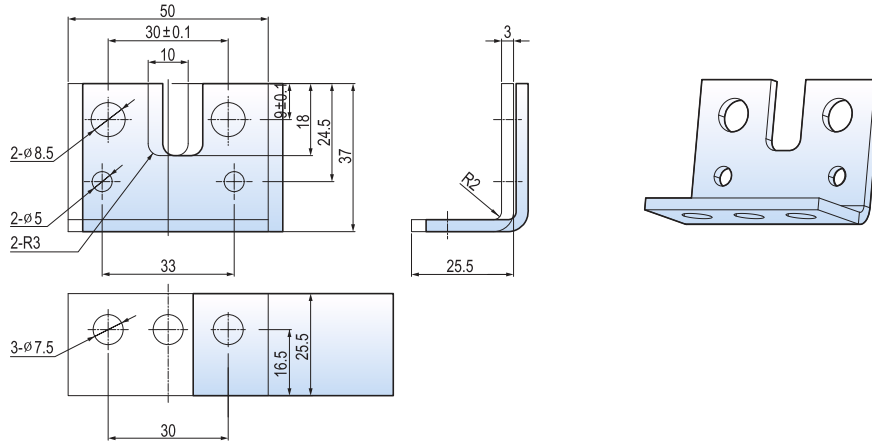
Overall dimensions (DC 1000V PV MCCB)

TD160

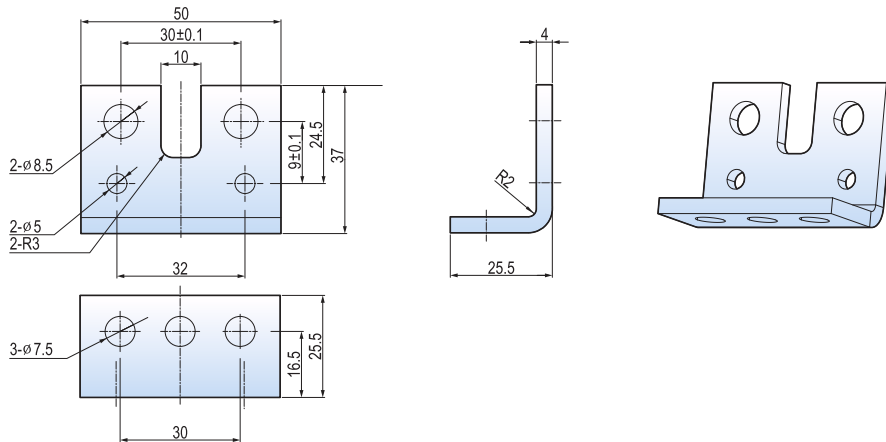
Short BUSBAR dimension

TD160 3t Short Busbar

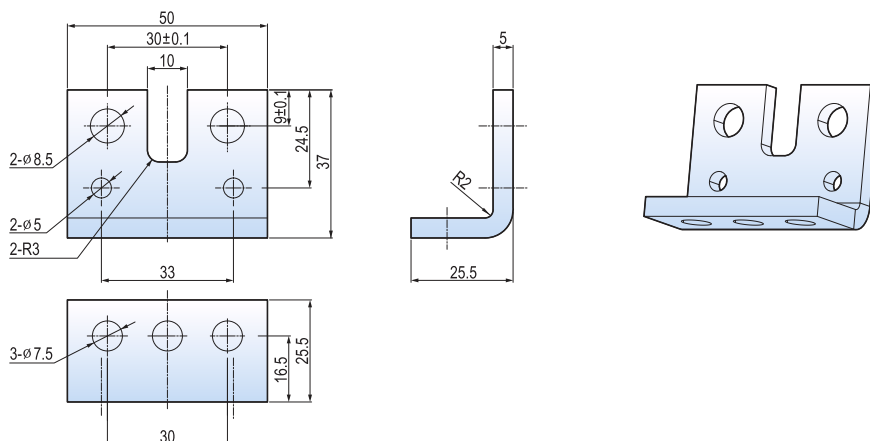
[mm]



TD160 4t Short Busbar



TD160 5t Short Busbar



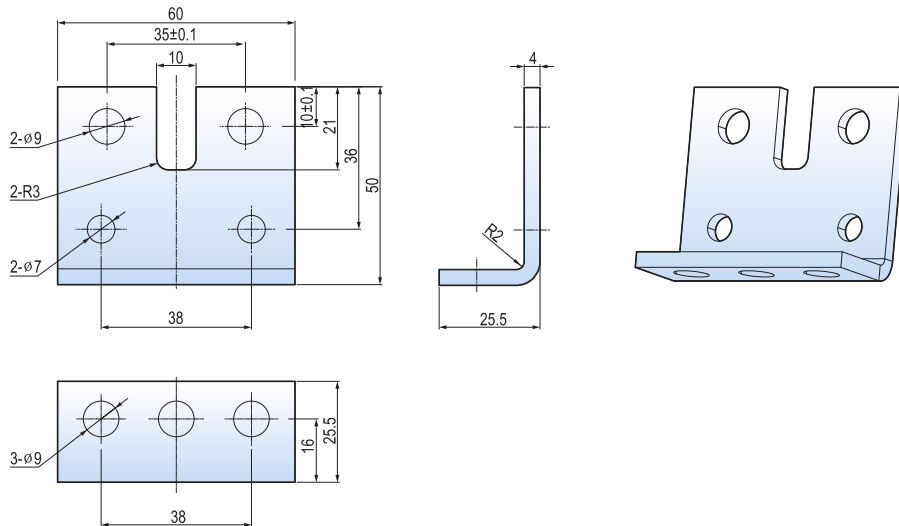
Overall dimensions (DC 1000V PV MCCB)

TS250

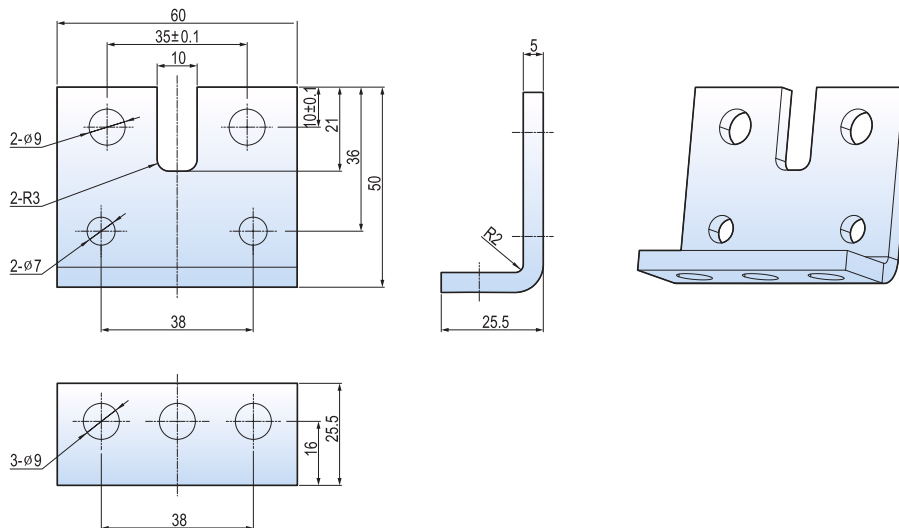
Short BUSBAR dimension

TS250 4t Short Busbar

[mm]



TD250 5t Short Busbar



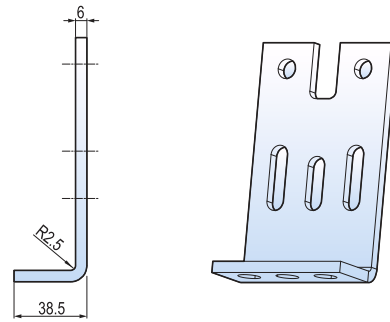
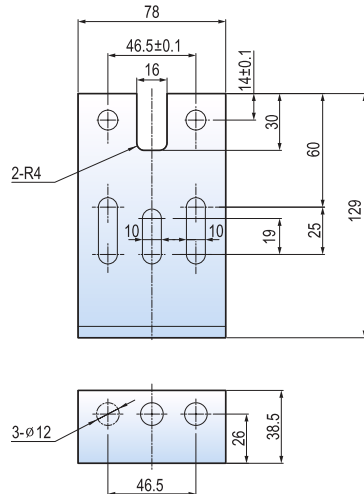
Overall dimensions (DC 1000V PV MCCB)

TS630

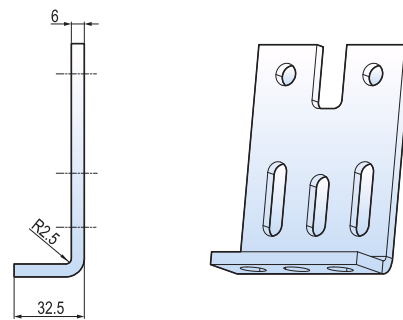
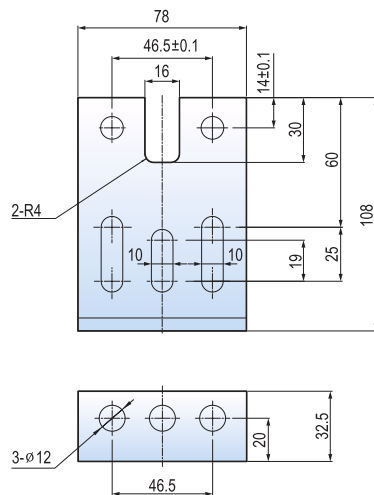
Short BUSBAR dimension

TS630 Lower Short Busbar

[mm]



TS630 Upper Short Busbar



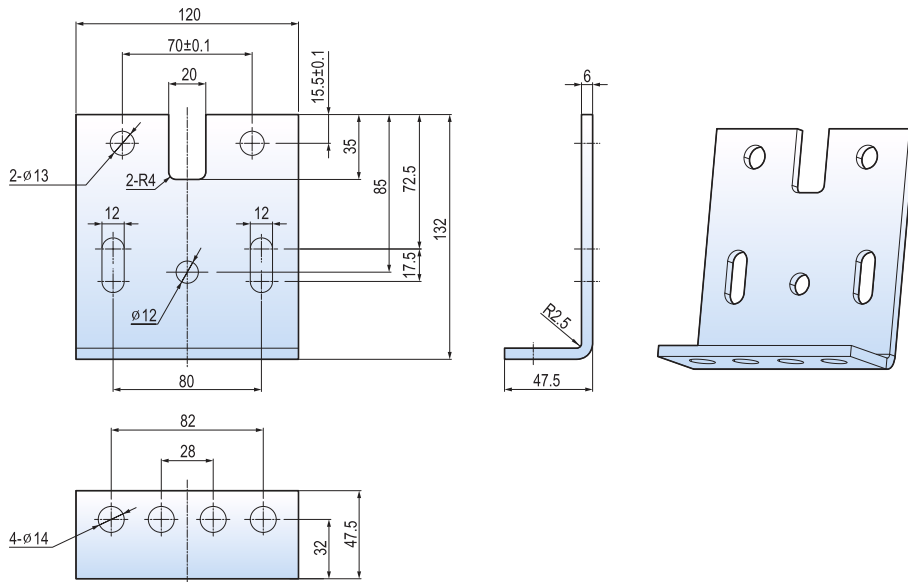
Overall dimensions (DC 1000V PV MCCB)

TS800

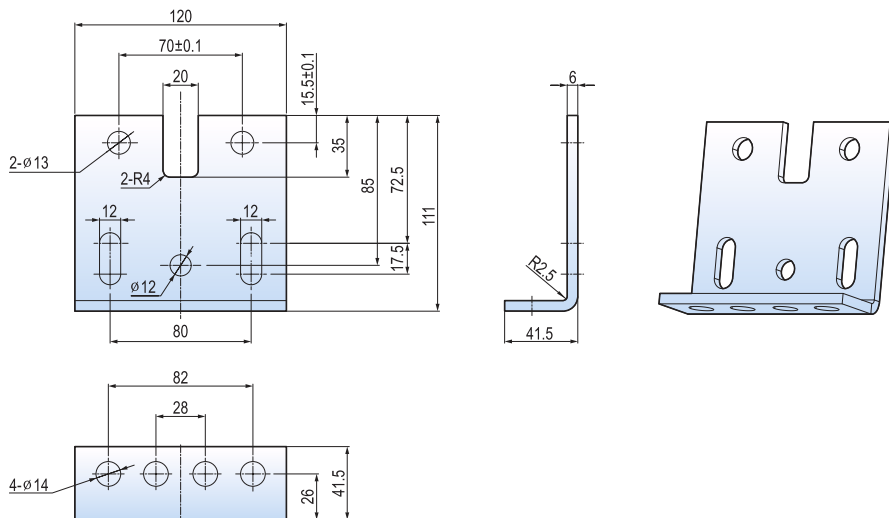
Short BUSBAR dimension

TS800 Lower Short Busbar

[mm]



TS800 Upper Short Busbar



Technical information

Application Using circuit-breakers in DC networks

Susol circuit-breakers for protection of power distribution with thermal overload and magnetic short-circuit trip units are suitable for usage in DC networks.
The circuit-breakers with electronic overcurrent releases are not suitable for DC networks.

Circuit-breaker selection criteria

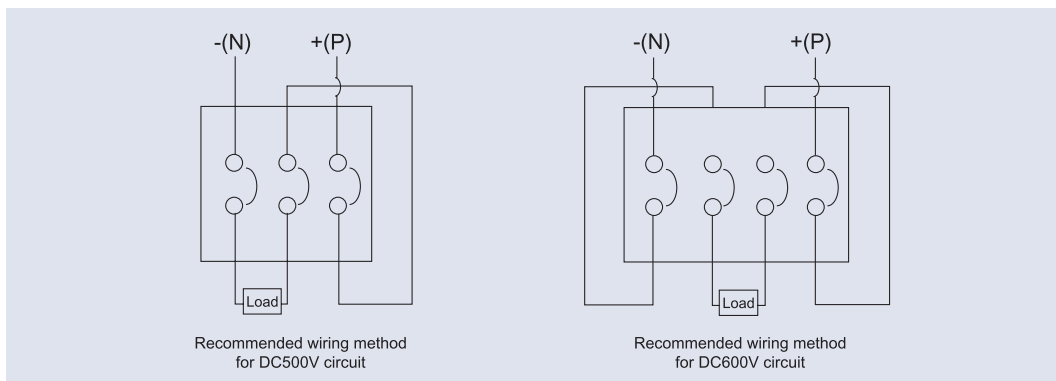
The followings are the most important criteria for selection of suitable circuit breaker for DC networks.

- The rated current determines the rating and size of the circuit-breaker (Equipment)
- The rated voltage determines the number of poles in series necessary for breaking
- The maximum short-circuit current at the connection point determines the breaking capacity

Setting range of the trip values

- Thermal overload protection: Same setpoints as in 50/60Hz circuits
- Instantaneous short-circuit protection: The response threshold increases by maximum 40%.

The following wiring diagrams are recommended since the current must flow through all current paths in order to conform to the thermal tripping characteristic curve.



	Model	Trip unit	Applicable to DC circuits	Breaking capacity (kA)		
Thermal magnetic	TD100N, TD160N	FTU FMU ATU	○	42		
	TS100N, TS160N, TS250N TS400N, TS630N TS800N		○	50		
	TD100H, TD160H		○	65		
	TS100H, TS160H, TS250H TS400H, TS630H TS800H		○	85		
	TD100L, TD160L TS100L, TS160L, TS250L TS400L, TS630L TS800L		○	100		
	Electronic		TS250, TS630, TS800	ETS, ETM	Impossible to use to DC circuits	



日揚科技有限公司
JD Auspice Co., Ltd

JD Auspice Co.,Ltd.

2F-5, No.7, Lane 43, Shaungcheng St.,
Zhongshan District, Taipei City, 10461,
Taiwan, R.O.C.

TEL : 886-2-2595-9780

FAX : 886-2-2595-9412

service@jdauspice.com

www.jdauspice.com