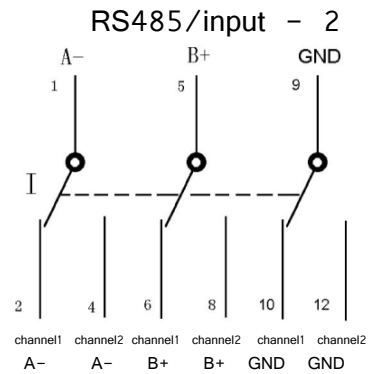
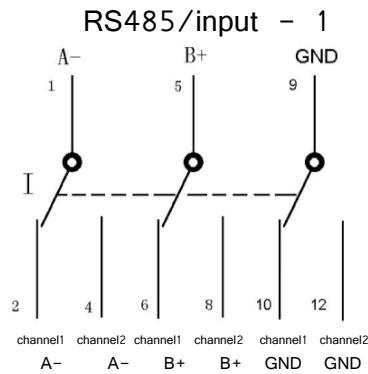
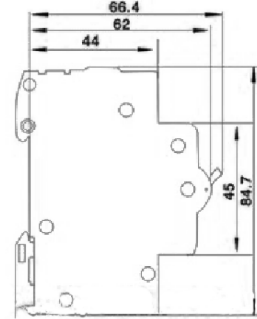
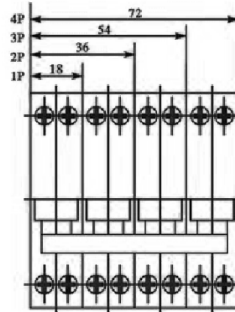


POWER&SIGNAL SWITCH

Isolating change-over switch

CSRS32-3P



Max.32A isolating change-over switch by Rail type Installation.

Type	CSRS32-3P	
Rated Current	32A	
Switch status	I	1-2; 5-6; 9-10 connect
	0	All open
	II	1-4;5-8;9-12 connect
Dimensions, W x D x H	84.7×54×66.4 mm	
Operating temperature range	- 40°C ~ + 80°C	
Cross-section of connection wire	1mm ² - 4mm ²	
Mounting	35mm DIN-rail in accordance with EN 50022/DIN46277-3	
Enclosure material	thermoplastic; extinguishing degree UL94 V-0	
Degree of protection	IP20	
Installation width	3 modules, DIN 43880	

Note: Subject to change without any notice.