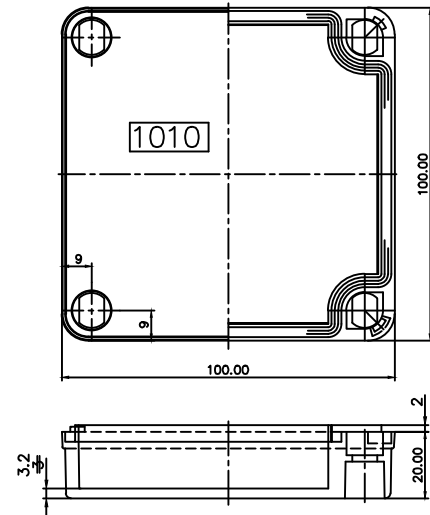


REV	NO	DATE	BY	CHKD	APPV	DESCRIPTION
						1010 BODY
						DWG.



REV	NO	DATE	BY	CHKD	APPV	DESCRIPTION
						1010 COVER
						DWG.