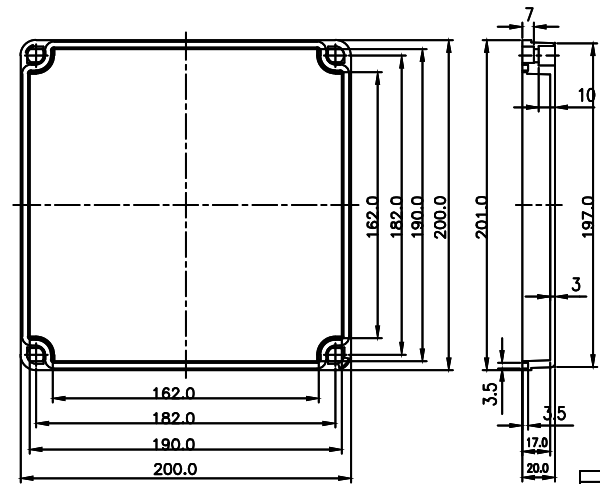


DATE	SCALE	PROVISION	REVISION
2020 BODY			
DWG.			



DATE	SCALE	PROVISION	REVISION
2020 COVER			
DWG.			