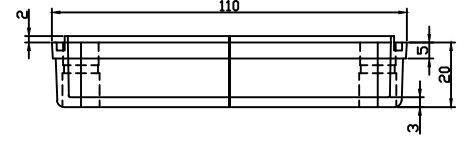
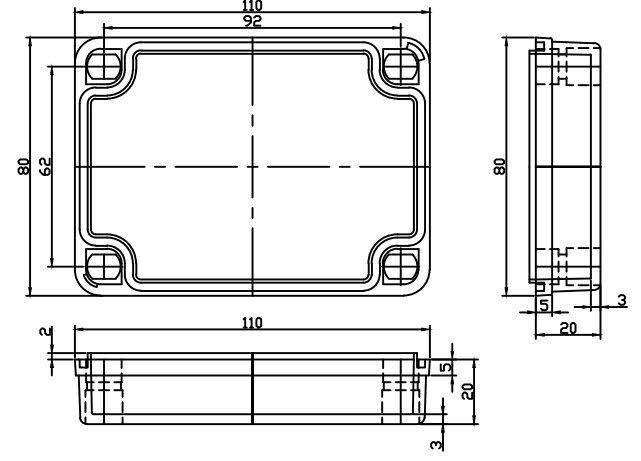


NO.	REV.	DATE	BY	CHK.	APP.
001	01	2023-08-01	BWS		
JIN-06027 BODY					
BWS					



NO.	REV.	DATE	BY	CHK.	APP.
001	01	2023-08-01	BWS		
JIN-06027 COVER					
BWS					