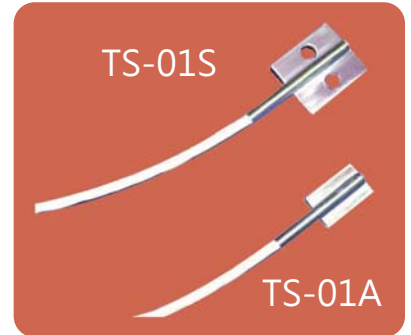


# Solar module surface temperature sensor

## Features

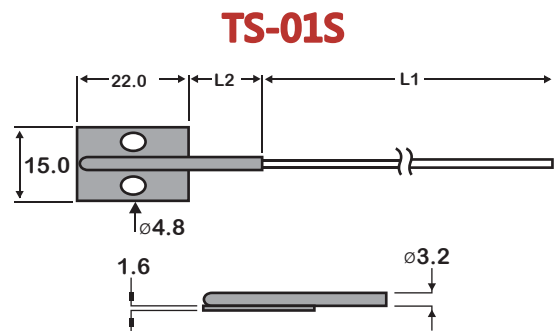
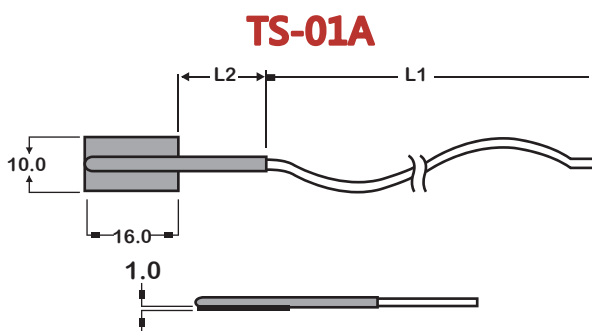
Operating temperature range: -40~ + 250°C  
 Accuracy in according to DIN IEC 751 A class  
 In according to UL, qualifying to UL94 HB Flammability Standard.  
 Superconducting temperature sensing, fast response, high accuracy.  
 Easy to mount in any adverse circumstances and chemical material surfaces.  
 Applicable to all types of metal, plastic and irregular surface temperatures including semiconductors, panels, solar module, and meteorological observations.



## Product details specifications

Type	TS-01A Patch-type	TS-01S screw type
Dimensions	10 x 16mm, t=1.0mm	10 x 22mm, t=1.6mm.
Sensor type	PT100Ω Class A (other types of sensor or thermal couple accepted)	
extended sensing wire	Teflon wire 1M *Customization allowed (tailored made signal wire material, length accepted)	
Response times	15s *fully dense surface mount	
Thermal conductivity	Under 100°C ≥ 0.8W/mk, Above 120°C ≤ 1.5W/mk ASTM 5470	
Mechanical strength	Tensile strength: 950psi ASTM D412 Elongation: 300% ASTM D412 Tear strength: 150lb/in <sup>2</sup> ASTM D624 Water resistance: IP68 CNS 14165	
Corrosion resistance	Petrol, Acetone, Cleaning fluid, Acid-base agent (Base on humidity, ambient temperature)	
Sensor types	A: Platinum PT100Ω / 50Ω / 1000Ω DIN-Class A B: Thermocouple K, J, E, T, N	
Wire type(s)	1. PVC 2.Silicone 3.Teflon*	
Mounting modes	1. super adhesive Tape 2. Stainless Steel clip clamp 3. High purity aluminum tape 4. Screw Holes	

\* Standard length: 3m, 5m, please specify.



Specification change without any notice.