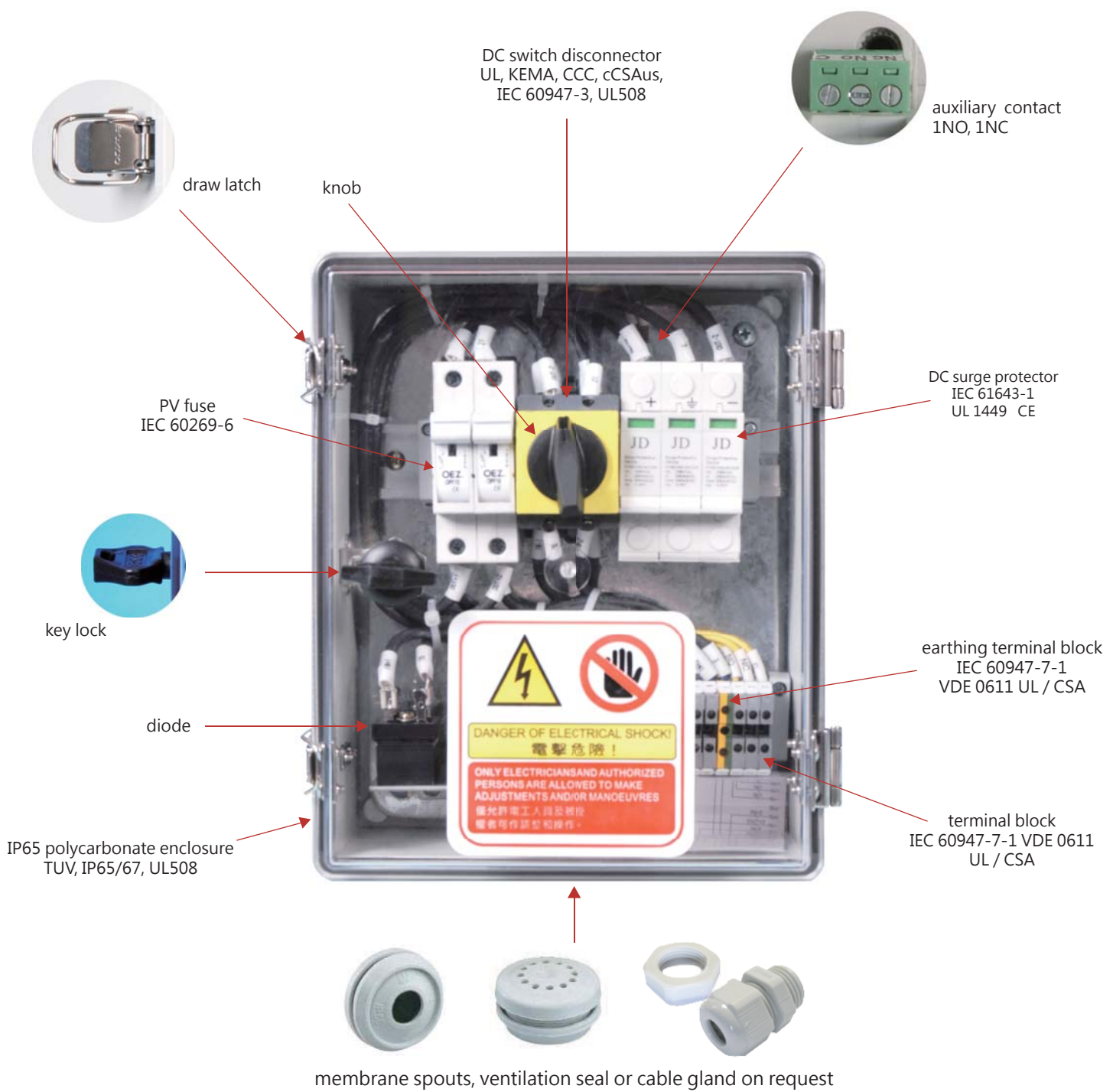


PV array combiner box

PRODUCT CATALOGUE

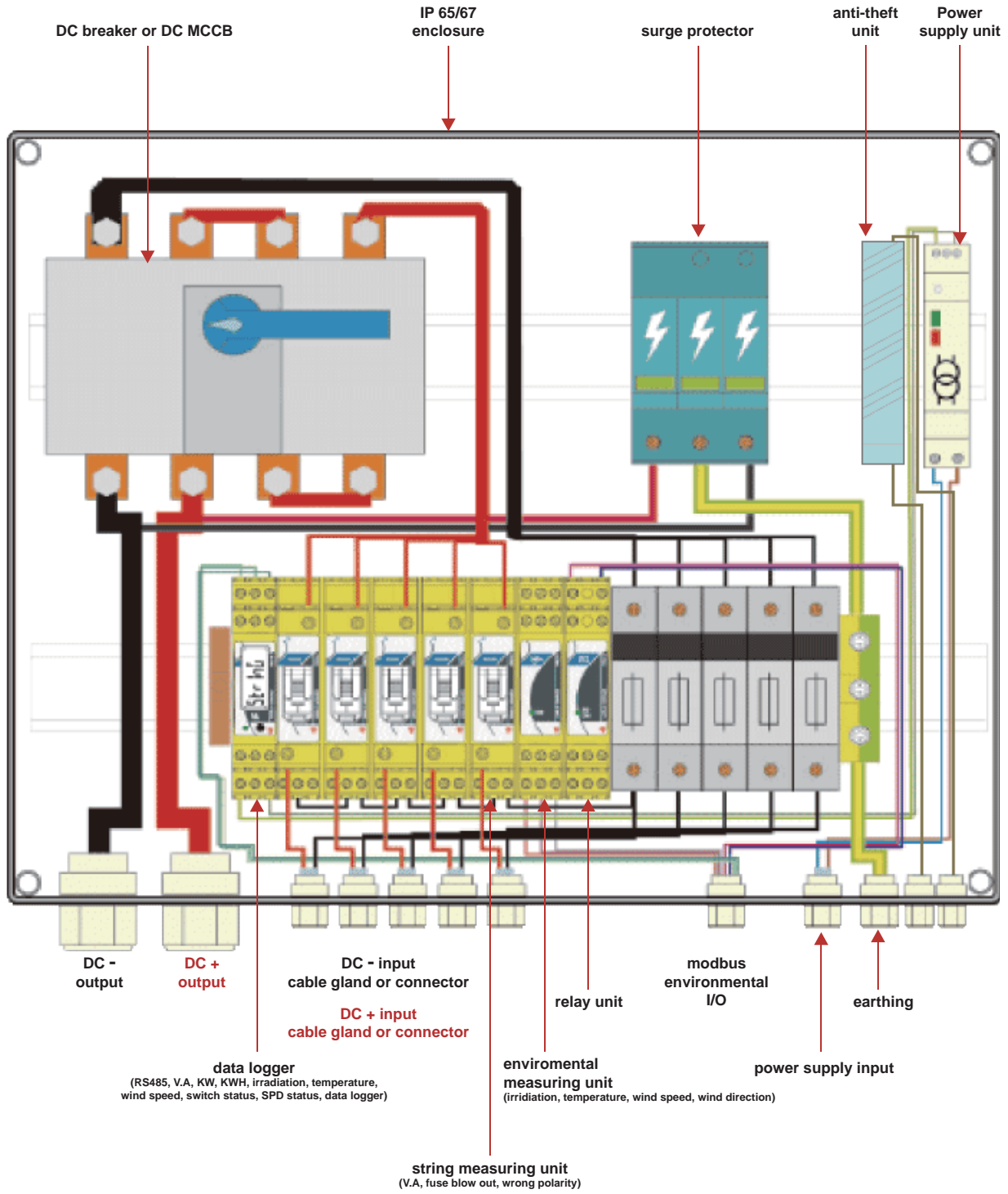


description of system elements



Do you want to configure a specific number of strings ?
 Do you have a multistring inverter which requires more than 2 poles ?
 Do you want to include additional protection in the systems : fuse, diodes, for example ?
 Any specific requirement about cross section of the incoming or outgoing cable ?
 Any special connector, for example MC or Tyco ?
 Do you need string monitoring ?
 Do you need to operate the switch from remote, maybe from PLC, or external relay ?
 Do you want to switch off the system in case of an earth fault ?
 Any other requirement ?
 JD Auspice customizes your junction boxes according to your installation !

Note: Subject to change without any notice.



Note: Subject to change without any notice.

Input string	1	2	3	on request
Cross section of input cable	2.5 - 6mm ²			-
Cross section of output cable	DC Switch disconnecter: 2.5mm ² - 6mm ²			-
	SPD: single strand 35mm ² , multi-strand 25mm ²			
Diode	25, 35, 40A 1200 Vdc or 1600 Vdc			40A / 1600 Vdc
Fuse	10A / 900 Vdc / 1000 Vdc , on request			900 / 1000 Vdc
	Other fuse rating 1,2,4,6,8,12,16,20,25 on request			On request
Surge Protective device	600Vdc In 20KA , Im 40KA 8/20 μs , class II, on request 1000 Vdc			1000Vdc , In20 KA Im 40 KA class II
Max. output current of DC disconnect switch	2 / 4 / 6 P , 16 A other on request			Up to 1250 A
Max. input voltage	600, 750, 850, 1000 Vdc			
Material of enclosure	ABS , PC , GRP on request			
IP protection class	IP 65			
Dimension in mm	300 x 400 x 180	WxHxD , other on request		-
Max. oper. Temp.°C	SPD: -40~+80°C			
	DC switch disconnecter: -5 + 40°C on request: -25~+70°C			
Max. Storage Temp.°C	SPD: -40~+80°C			
	DC switch disconnecter: -40~+80°C			
Weight in kg				
Certificate	DC switch cCSus, UL508, KEMA, CCC, enclosure: TUV Fuse: IEC60269-6			

pvBos® - 100V - 16B4E - F210 - S15ER - PV40/100 - C06 - STCG - ODCG

combiner box

Max. system voltage Vdc
60: 600Vdc 75: 750Vdc
85: 850Vdc 100: 1000Vdc

Rated current of DC Switch disconnecter
Type of mounting
B: bottom mount P: panel mount
E: clockwise 90 deg. H: anti-clockwise 90 deg.
4: Number of Pole of DC Switch, 4 means 2 string input

F: fuse 2: number of fuse
Rated Fuse current A
available 2, 4, 6, 8, 10, 12, 16, 20, 25
Other on request

Surge Protective Device for PV
IN: 20 KA Imax: 40KA
Voltage: 600, 750, 1000 Vdc
60: 600Vdc 75: 750Vdc
85: 850Vdc 100: 1000Vdc

Outer diameter of DC main cable
1121: cable gland 11~21 mm
1523: cable gland 15~23 mm
1928: cable gland 19~28 mm

ST: String Connection
CG: Cable gland
CN: Connector

Max. cross section of cable, e.g. 2.5, 4, 6mm

S: string Monitor
15: number of string input
E: temperature, wind speed, wind direction, irradiation
R: relay module for SPD, switch status output



- On Load disconnect, weatherproof IP65, transparent or opaque cover door Lock or lockable knob available on request.

AC-standard boxes

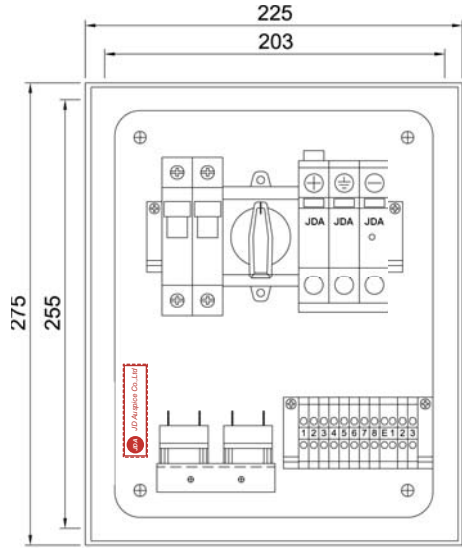
With terminal blocks or the AC circuit breaker are obligatory in several EU countries. The pre-wired solutions help to save installation time and cost. In addition to standard EU, IEC solutions, we also offer CSA, UL standard and customised solutions.



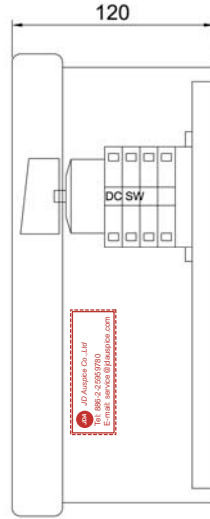
AC-Box

Nominal voltage	230VAC/50Hz (max. 250V), 208/220/275/440V 60Hz on request
Overvoltage protection	Class II or I, type 2, optional type 1
Enclosure	ABS or Polycarbonate IP65 / 67
Connection in	10mm ² , or specified
Connection out	10mm ² , or specified
Cable entry	Cable gland or Membrane spouts
Circuit breaker	combined RCD, load breaker
RCD	25A/0.03A
Fuses	10x38mm max. 32A
Optional	RCBO : 10,16,25,32A MCB : 10,13,20,25 other on request
Dimensions (WxHxD)	250x350x150 _{mm} , other on request

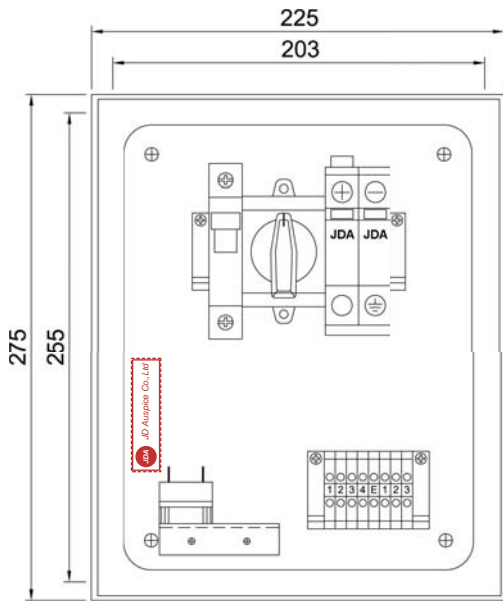
dimension



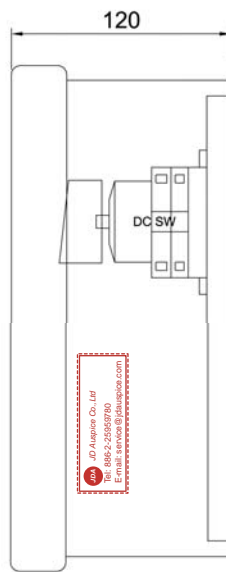
Front view



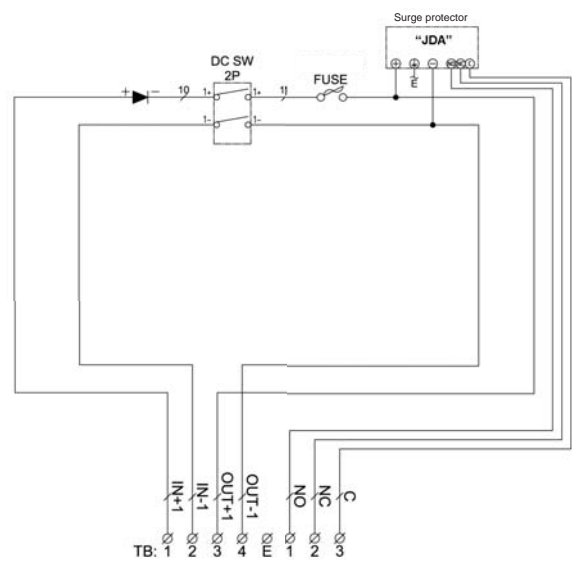
Side view



Front view



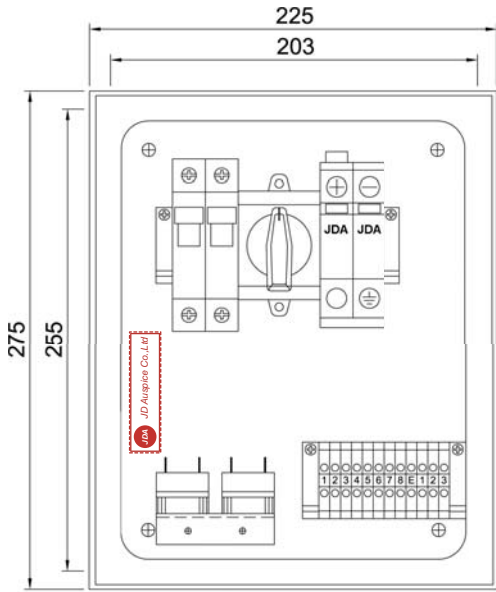
Side view



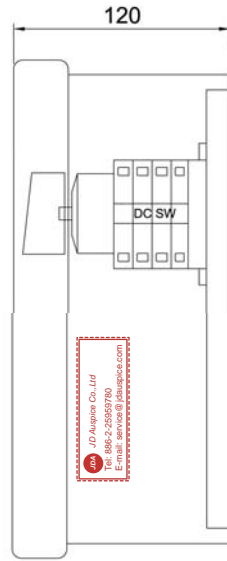
Wiring diagram

Note: drawing picture for reference only, we reserve the rights to change without any Notice.

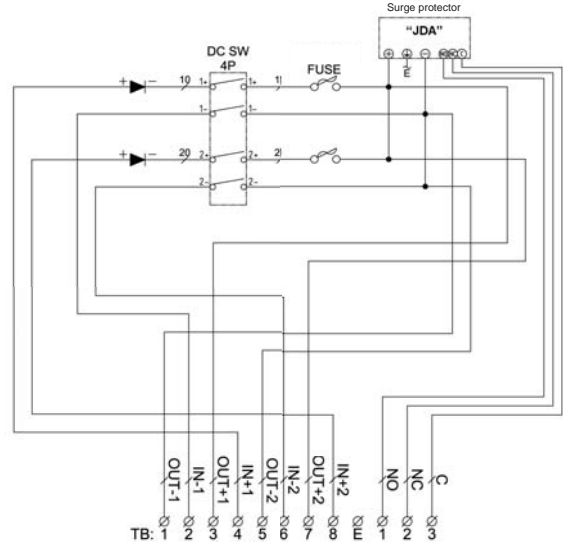
dimension



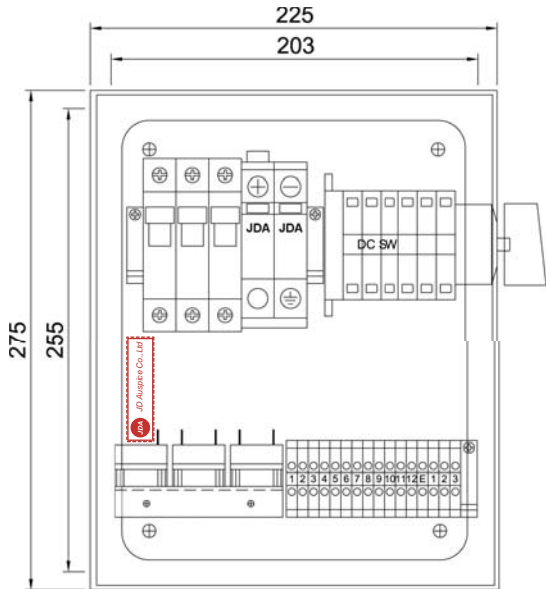
Front view



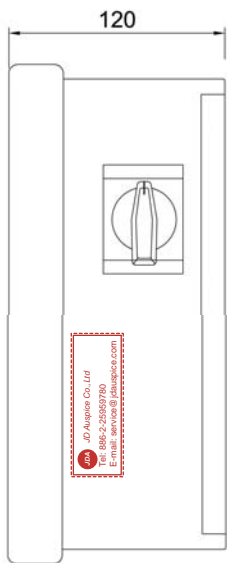
Side view



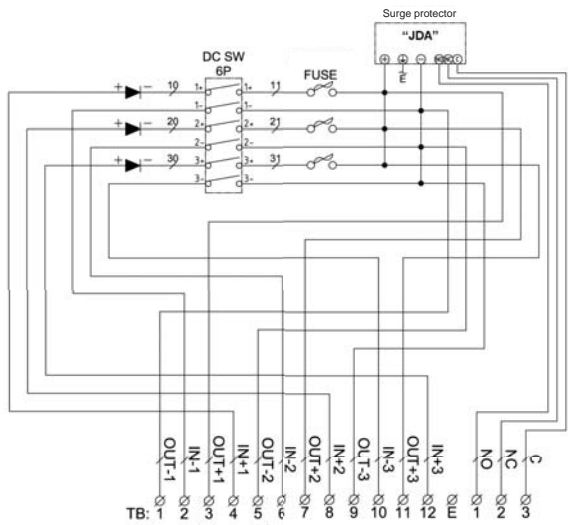
Wiring diagram



Front view



Side view

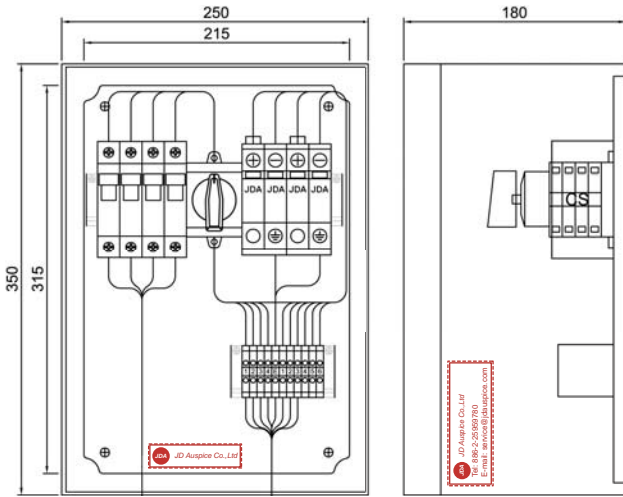


Wiring diagram

Note: drawing picture for reference only, we reserve the rights to change without any Notice.

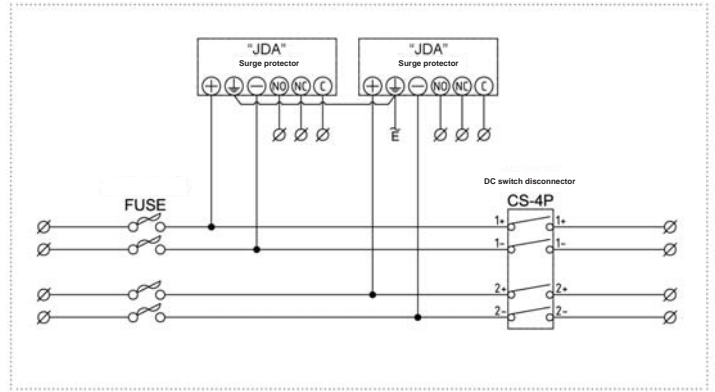
dimension

For 2 trackers application



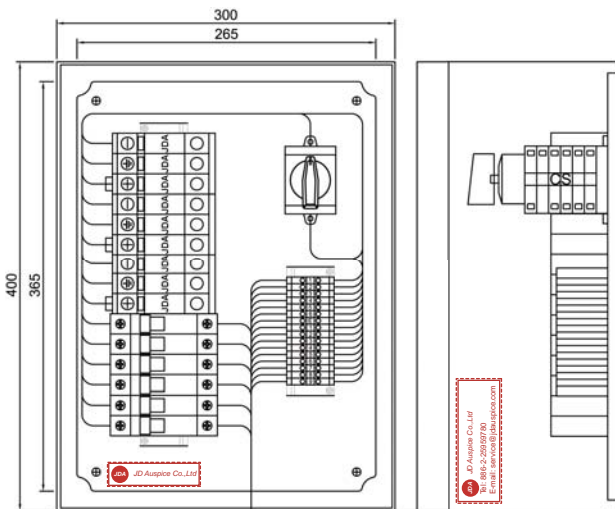
Front view

Side view



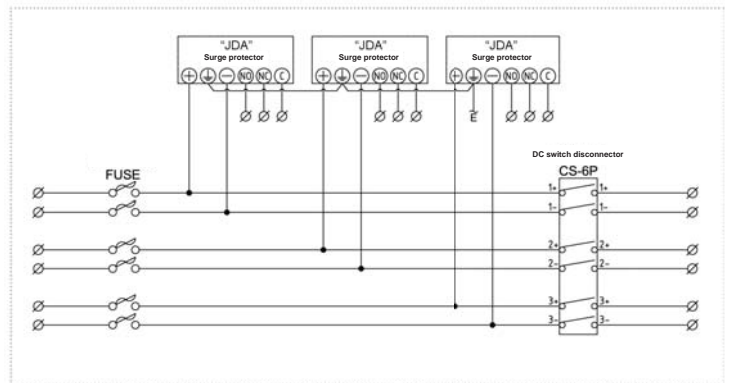
Wiring diagram

For 3 trackers application



Front view

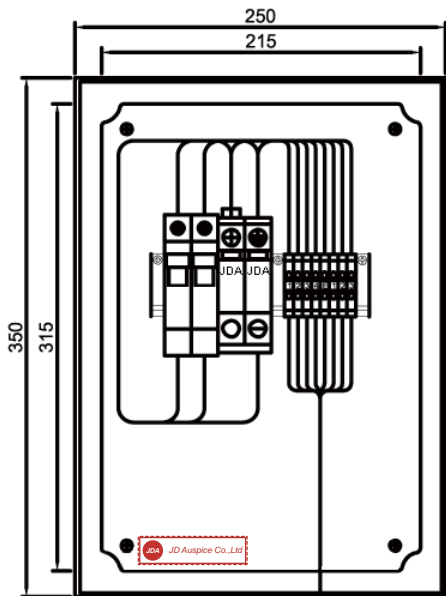
Side view



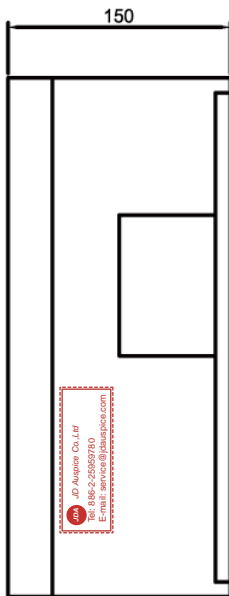
Wiring diagram

dimension

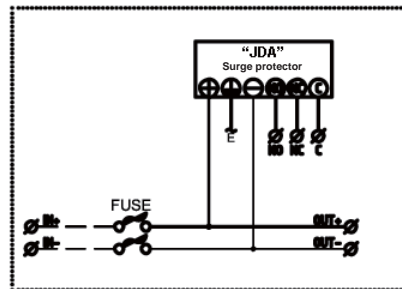
DC combiner box (Generator Box)



Front view

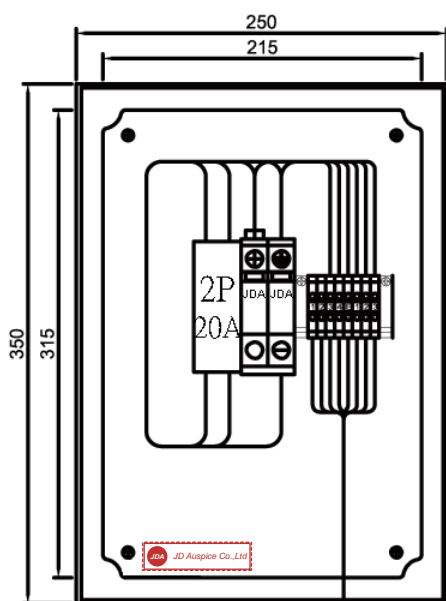


Side view

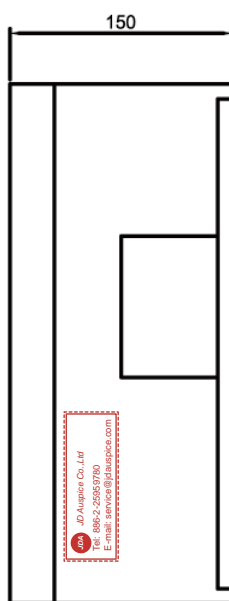


Wiring diagram

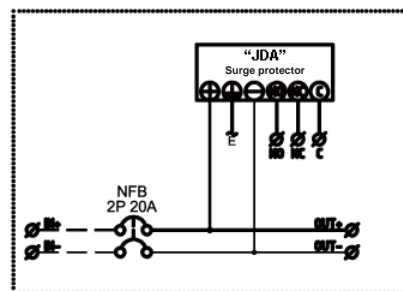
AC BOX



Front view



Side view



Wiring diagram

Note: drawing picture for reference only, we reserve the rights to change without any Notice.



日煬科技有限公司
JD Auspice Co., Ltd

Tel: +886-2-2595-9780

Fax: +886-2-2595-9412

www.jdauspice.com

service@jdauspice.com

2F-5, No.7, Lane 43, Shaungcheng St., Zhongshan District, Taipei City, 10461, Taiwan, R.O.C.