

# Transmitter EC 34/35

State-of-the-art monitoring of  
Oxygen and Toxic Gases

OX



AutoCal for easy Automatic Calibration  
SMART Sensor Technology  
Output 4 to 20 mA Linear  
With large 4 digit LCD display option  
Low Cross Sensitivity Sensors  
Ex-proof Housing UL and CENELEC

TOX

Worldwide Supplier of Gas Detection Solutions



# Stationary Monitoring of Oxygen and Toxic Gases

## One-man Auto Calibration

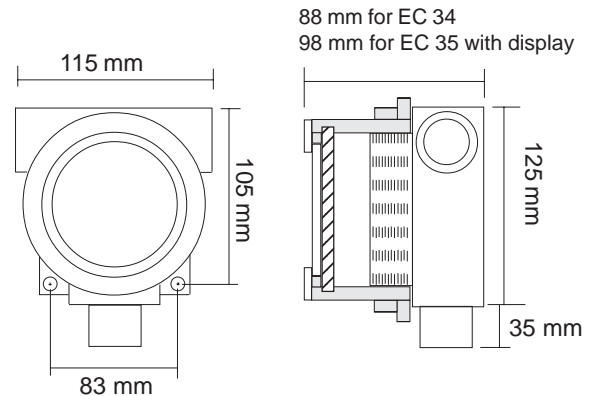
Simply press a button, the SMART microprocessor will automatically recognize the data inside the SMART sensor, and auto-calibrate itself, without any trimmers.

## Off-site Sensor Calibration

All GfG SMART sensors are pre-calibrated in our lab, and simply install any SMART sensor with no further calibration required. Calibration data automatically uploads to the transmitter to ensure precise calibration.

## Rapid Warm-up

Ready to calibrate after power applied. Does not require bias voltage to stay ready; no need to wait for hours for stabilization.



# EC 34 / EC 35 Series Technical Data

## General

### Gas

Oxygen  
Toxic Gases (refer to Toxic Gas List), including CO, H<sub>2</sub>S, SO<sub>2</sub>, NO, NO<sub>2</sub>, H<sub>2</sub>, HCl, HCN, NH<sub>3</sub>, Cl<sub>2</sub> in ppm, and many other gases upon request.

### Ranges

Oxygen 0 ... 30 % Vol  
CO 0 ... 500, 2000 ppm  
H<sub>2</sub>S 0 ... 200, 1000 ppm  
SO<sub>2</sub> 0 ... 50, 500 ppm  
NO 0 ... 300, 1500 ppm  
NO<sub>2</sub> 0 ... 50, 200 ppm  
H<sub>2</sub> 0 ... 2000 ppm,  
1 % Vol, 4 % Vol  
HCl 0 ... 200 ppm  
HCN 0 ... 50, 200 ppm  
NH<sub>3</sub> 0 ... 200 ppm  
Cl<sub>2</sub> 0 ... 50, 250 ppm  
Other Toxic Gas, refer to Toxic Gas List.

### Gas Supply

Diffusion

### Fast Response Time

T 90 < 8 seconds (depending on gas)

### Expected Sensor Life

Approx 3 years

### Environmental Conditions

Temperature : - 15 to +45 deg C.  
Humidity : 10 to 96% RH  
Pressure : 700 to 1300 hPa  
/ mbar

### Signal Connection to Controller

2 shielded wire  
18 AWG; < 1000 ft

## EC 34 / EC 35

### Output Signal

4 ... 20 mA Linear

### Power Supply

18 to 24 V dc, Less than 25 mA

### Housing

Aluminium Explosion proof

### Housing Approval

UL Class I, Groups B, C, D.  
CENELEC EEx d IIC T4;  
EN 50014; EN 50018;  
NEMA 4 X; IP 66

### Physical Measurements

Weight 1587 gm  
Dimension 115 x 125 x 95(mm)

### Display

Digital LCD and LED (EC 35 only)

### Calibration

Potentiometer (EC 34)  
Microprocessor based-Auto Zero; Auto Cal  
(EC 35 only)



## GfG Asia Pacific Pte Ltd

315 Outram Road, Unit 10-02B  
Tan Boon Liat Building  
Singapore 169 074.  
Tel: +65-6227 4346 ; Fax: +65-6227 4347  
Email: cchek@pacific.net.sg