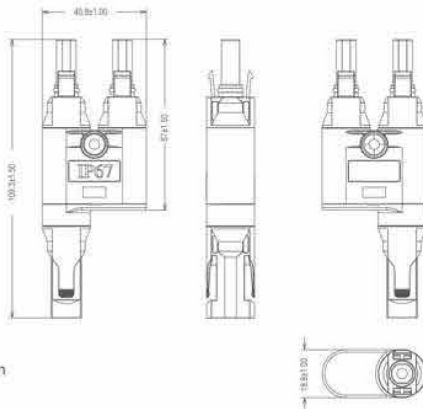




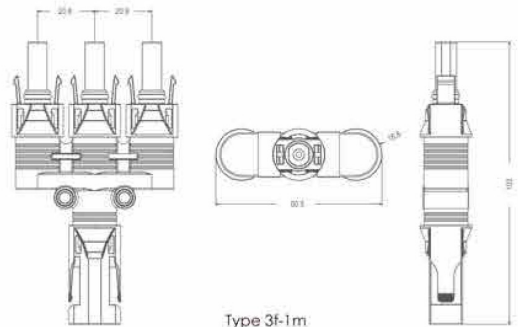
Branch Connectors

Key Features

- ✓ **High Performance**
 - Contact Resistance below 0.2mΩ
 - Handles current upto 30A
- ✓ **Safety**
 - TUV and UL standard
 - Slight heat rising at rated current
 - IP67 water proof
 - UL94-V0 flame proof
- ✓ **Full Series**
 - Can be plugged into Tyco Φ2.4mm, MC Φ3.0mm and Φ4.0mm solar connectors
 - Converts from male to female, vice versa
 - Customizaion by customer's request
- ✓ **Warranty**
 - 20 years



Type 2f-1m



Type 3f-1m

Product Features

Electrical Data and Safety	
Rated Current	25A
Rated Voltage	1000Vdc (TUV), 600Vdc (UL)
Contact Resistance	≤ 5mΩ
Oversoltage Category	III
Flame Class	UL94-V0
Application Class	A
IP Code, Water Proof	IP67
Operation Temperature	-40 deg. C to +85 deg. C
Options	
Pin Dimension	Φ2.4 mm, Φ3.0 mm, Φ4.0 mm

Mechanical Data	
Plastic Housing	PPO
Metal Pin	Sn plated Copper
Insertion Force	≤ 50N
Withdraw Force	≥ 50N
Others	
Compatible Brand	Tyco, MC

Tyco is a trade mark of Tyco Electronics.
MC is a trade mark of Multi-Contact AG.

note: subject to change without any notice, JDA pay no responsibility