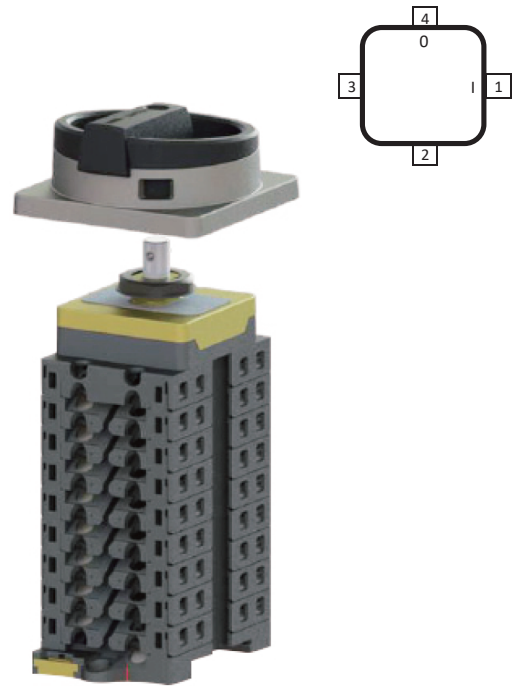
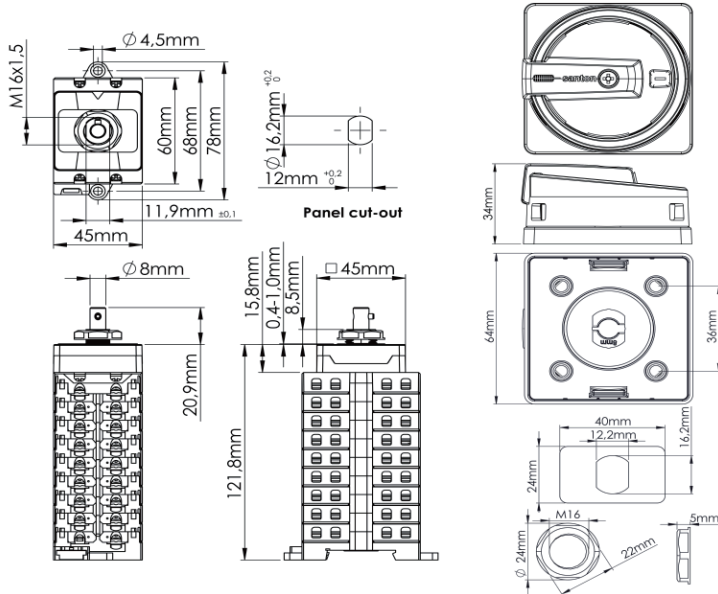




# Data Sheet XBCH+0810/5



General tolerances on linear dimensions:	For the height of a switch is the tolerance always $\pm 1\%$				
Dimensions (mm)	0,5 - 3	> 3 - 6	> 6 - 30	> 30 - 120	> 120 - 400
Tolerances unless Otherwise mentioned (mm)	$\pm 0,1$	$\pm 0,1$	$\pm 0,2$	$\pm 0,3$	$\pm 0,5$

The tolerances for the Santon datasheet are according to ISO 1101, ISO 8015, ISO 2768 1 class m, unless stated otherwise.

Technical data	Symbol	Ratings:	I	II	III	Unit
Rated operational voltage	Ue		1500	1000	800	V dc
Rated operational current	Ie		20	50	60	A dc
Required fine wire cross-section (minimal):			4	10	16	mm <sup>2</sup>
*IEC60947-1, table 9						
Number of DC poles						8
Pollution degree						2
Utilization category DC						DC-PV1
IP rating terminals						IP20
Tightening torque terminal screws M4 (min. - max.)			1,5	-	1,7	Nm
Method of mounting						
IP rating of the shaft in case of single hole mounting						IP65
Tightening torque panel mounting nut (min. - max.)			2,0	-	2,5	Nm
Panel thickness between			1	-	4	mm
Positions			12 (OFF) and 3 o'clock (ON)			
Actuator			Standard A knob with long screw to fix in shaft			
Method of operation			Independent manual operation			
Rated impulse withstand voltage		Uimp			8	kV
Insulation voltage		Ui			1500	V
Rated thermal current uninterrupted duty		Iu			60	A
Rated short-time withstand current (1s)		Icw			700	A
Rated short-circuit making capacity		Icm			1	kA
Rated conditional short-circuit current		Isc			5	kA
Minimum required dimensions of enclosures L x W x D* {space envelope}			124 x 47 x 123			
* see the drawing for the height of the switch. The number of layers N is:			8			
Weight			ca. 308			
Allowed ambient temperature (min. - max.)		T <sub>ambient</sub>	-40 - 70			
Allowed storage temperature (min. - max.)		T <sub>storage</sub>	-40 - 85			
Relative humidity (max.), without condensation at 20°C		RH	90			

Layer No.	Front Side		Symbol	Rear Side		Positions			
	Left	Right		Left	Right	1	2	3	4
9	+4			+4		I			0
8		-4			-4	I			0
7	-3			-3		I			0
6		+3			+3	I			0
5	+2			+2		I			0
4		-2			-2	I			0
3	-1			-1		I			0
2		+1			+1	I			0
1			Empty						

(I = Contact is closed, O = Contact is open)

### Mounting instructions

In the application all ratings according to the datasheet have to be respected. After mounting, the wiring must be checked and the switch must operate smoothly. When building the switch in an enclosure, the space envelope must be respected according to the applicable standards. In case mounting the switch with a rear bracket using the optional four screw holes in the bottom plate, please take into account the required air & creeping distances with respect to the live parts according to the applicable standard (IEC/UL).

### Maintenance

The X type switches are designed for a very long life but it is advised to do some simple yearly maintenance. - Check the installation for signs of overload or overheating. The terminals may not exceed the limit of 85°C under full load. - By operating the switch a few times (5x) the contacts will clean themselves and the switch will have a longer life.

### Connection

The terminals, can take copper wires up to 6 mm<sup>2</sup>. The recommended Spade Tongue Terminals may have a maximum width of 9 mm (see table for recommendations)

### Warning

Verify that all connections (including bridging link connections) are suitable for the rated current, prepared to ensure only conductive parts are clamped and tightend to the manufacturer's required torque before energization.

- \*1 16mm<sup>2</sup> only with fine stranded wire (or two times 6mm<sup>2</sup>)
- \*2 To insulate the cable lugs, you can use the insulating spouts of the ES series from CEMBRE with the type designation ES3....

note: subject to change without any notice, JDA pay no responsibility

Recommend Manufacturer	Type number	Wire size (AWG)	Wire size (mm <sup>2</sup> )	Color
JST	FVD2-YS4A	AWG 16 - AWG 14	1,0 - 2,5 mm <sup>2</sup>	Blue
TE connectivity	C-165012	AWG 16 - AWG 14	1,0 - 2,5 mm <sup>2</sup>	Blue
Vogt	3635c	AWG 16 - AWG 14	1,5 - 2,5 mm <sup>2</sup>	Blue
TE connectivity	C-165015	AWG 12 - AWG 10	3,0 - 6,0 mm <sup>2</sup>	Yellow
Vogt	3652c / 3653c	AWG 12 - AWG 10	3,0 - 6,0 mm <sup>2</sup>	Yellow
Santon (JST)	52A1256.35	AWG 8 - AWG 10	10,5mm <sup>2</sup> -16mm <sup>2</sup> *1	*2