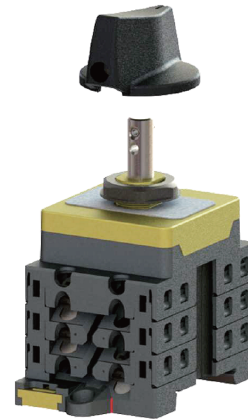
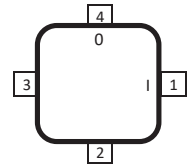
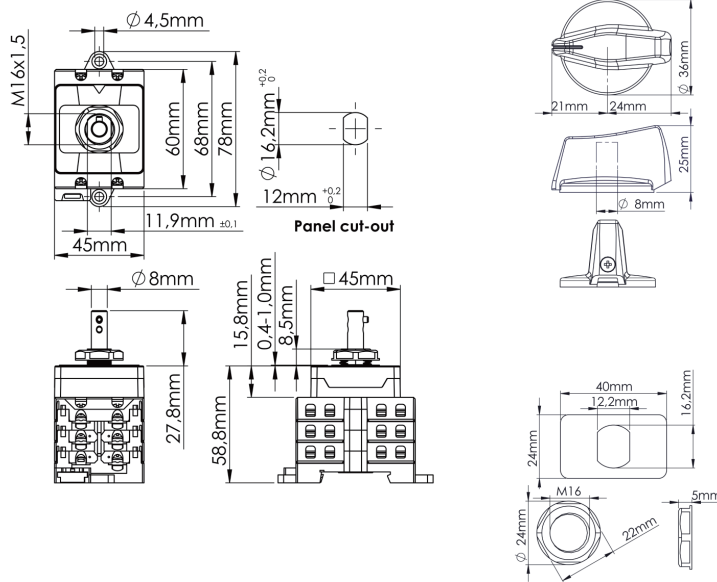




Data Sheet XBHP+0210/2



The tolerances for the Santon datasheet are according to ISO 1101, ISO 8015, ISO 2768 1 class m, unless stated otherwise.

Technical data	Symbol	Ratings:	I	II	III	IV	Unit
Rated operational voltage	Ue		1200	1000	800	600	V dc
Rated operational current	Ie		20	30	40	50	A dc
Power dissipation (max)				0,0	0,0	0,0	
Required fine wire cross-section (minimal)*:			4	6	10	10	mm ²
*IEC60947-1, table 9							
Number of DC poles						2	
Utilization category DC						DC-PV1	
Pollution degree						2	
IP rating terminals						IP20	
Tightening torque terminal screws M4 (min. - max.)					1,5	1,7	Nm
Method of mounting							
IP rating of the shaft in case of single hole mounting						IP65	
Tightening torque panel mounting nut (min. - max.)					2,0	2,5	Nm
Panel thickness between					1	4	mm
Positions			12 (OFF) and 3 o'clock (ON)				
Actuator			Standard A knob with long screw to fix in shaft				
Method of operation			Independent manual operation				
Actuator operation force (max.)						1,4	Nm
Tightening torque M3 screw in the actuator (min. - max.)					0,50	0,70	Nm
Rated impulse withstand voltage	Uimp					8	kV
Insulation voltage	Ui					1200	V
Rated thermal current uninterrupted duty	Iu					50	A
Rated short-time withstand current (1s)	Icw					700	A
Rated short-circuit making capacity	Icm					1	kA
Rated conditional short-circuit current	Isc					5	kA
Minimum required dimensions of enclosures L x W x D* {space envelope}						124 x 47 x 50	mm
* see the drawing for the height of the switch. The number of layers N is:							
Weight						ca. 149	g
Allowed ambient temperature (min. - max.)		T _{ambient}				-40 - 70	°C
Allowed storage temperature (min. - max.)		T _{storage}				-40 - 85	°C
Relative humidity (max.), without condensation at 20°C		RH				90	%

Terminals Scheme							
Layer No.	Front Side Left	Front Side Right	Symbol	Rear Side Left	Rear Side Right	Positions 1	Positions 2 3 4
9							
8							
7							
6							
5							
4							
3	-1			-1		I	0
2		+1			+1	I	0
1			Empty				

(I = Contact is closed, O = Contact is open)

Mounting instructions

In the application all ratings according to the datasheet have to be respected. After mounting, the wiring must be checked and the switch must operate smoothly. When building the switch in an enclosure, the space envelope must be respected according to the applicable standards.

Maintenance

The X type switches are designed for a very long life but it is advised to do some simple yearly maintenance. - Check the installation for signs of overload or overheating. The terminals may not exceed the limit of 85°C under full load. - By operating the switch a few times (5x) the contacts will clean themselves and the switch will have a longer life.

Connection

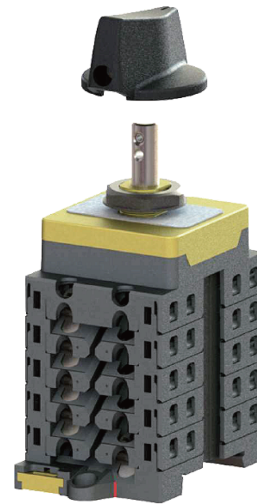
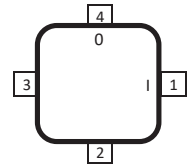
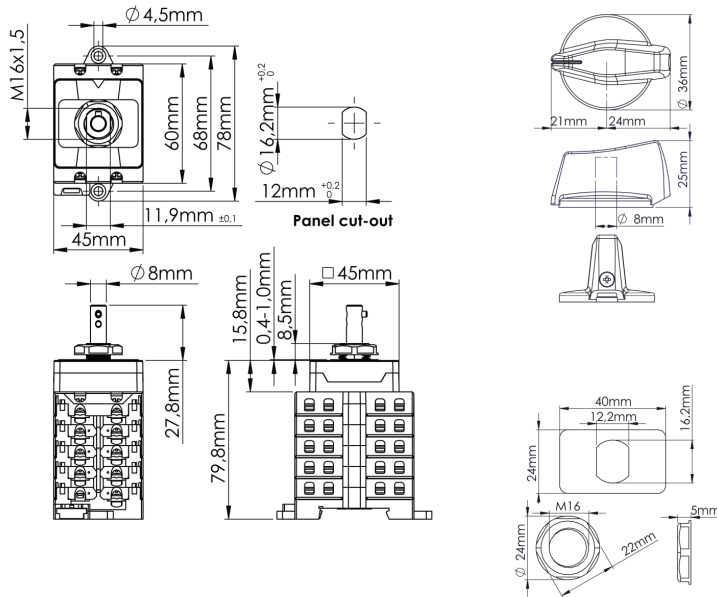
The terminals, can take copper wires up to 6 mm². The recommended Spade Tongue Terminals may have a maximum width of 9 mm (see table for recommendations)

Recommend Manufacturer	Type number	Wire size (AWG)	Wire size (mm ²)	Color
JST	FVD2-YS4A	AWG 16 - AWG 14	1,0 - 2,5 mm ²	Blue
TE connectivity	C-165012	AWG 16 - AWG 14	1,0 - 2,5 mm ²	Blue
Vogt	3635c	AWG 16 - AWG 14	1,5 - 2,5 mm ²	Blue
TE connectivity	C-165015	AWG 12 - AWG 10	3,0 - 6,0 mm ²	Yellow
Vogt	3652c / 3653c	AWG 12 - AWG 10	3,0 - 6,0 mm ²	Yellow
Santon (JST)	52A1256.35	AWG 8 - AWG 10	10,5mm ² -16mm ² *1	*2

*1 16mm² only with fine stranded wire (or two times 6mm²)
*2 Optional: A yellow finger safe sleeve for the Spade Tongue Terminal (Santon 52A1256.35) can be ordered under item number 52A1564.00



Data Sheet XBHP+0410/2



The tolerances for the Santon datasheet are according to ISO 1101, ISO 8015, ISO 2768 1 class m, unless stated otherwise.

Technical data	Symbol	Ratings:	I	II	III	IV	Unit
Rated operational voltage	Ue		1200	1000	800	600	V dc
Rated operational current	Ie		20	30	40	50	A dc
Power dissipation (max)				0,0	0,0	0,0	
Required fine wire cross-section (minimal)*:			4	6	10	10	mm ²
*IEC60947-1, table 9							
Number of DC poles						4	
Utilization category DC						DC-PV1	
Pollution degree						2	
IP rating terminals						IP20	
Tightening torque terminal screws M4 (min. - max.)				1,5	-	1,7	Nm
Method of mounting							
IP rating of the shaft in case of single hole mounting						IP65	
Tightening torque panel mounting nut (min. - max.)				2,0	-	2,5	Nm
Panel thickness between					1	-	4 mm
Positions			12 (OFF) and 3 o'clock (ON)				
Actuator			Standard A knob with long screw to fix in shaft				
Method of operation			Independent manual operation				
Actuator operation force (max.)						1,4	Nm
Tightening torque M3 screw in the actuator (min. - max.)					0,50	-	0,70 Nm
Rated impulse withstand voltage	Uimp					8	kV
Insulation voltage	Ui					1200	V
Rated thermal current uninterrupted duty	Iu					50	A
Rated short-time withstand current (1s)	Icw					700	A
Rated short-circuit making capacity	Icm					1	kA
Rated conditional short-circuit current	Isc					5	kA
Minimum required dimensions of enclosures L x W x D* {space envelope}						124 x 47 x 71	mm
* see the drawing for the height of the switch. The number of layers N is:							
Weight						ca. 211	g
Allowed ambient temperature (min. - max.)		T _{ambient}				-40 - 70	°C
Allowed storage temperature (min. - max.)		T _{storage}				-40 - 85	°C
Relative humidity (max.), without condensation at 20°C		RH				90	%

Terminals Scheme							
Layer No.	Front Side Left	Front Side Right	Symbol	Rear Side Left	Rear Side Right	Positions 1	Positions 2 3 4
9							
8							
7							
6							
5	+2			+2		I	0
4		-2			-2	I	0
3	-1				-1	I	0
2		+1			+1	I	0
1			Empty				

(I = Contact is closed, O = Contact is open)

Mounting instructions

In the application all ratings according to the datasheet have to be respected. After mounting, the wiring must be checked and the switch must operate smoothly. When building the switch in an enclosure, the space envelope must be respected according to the applicable standards.

Maintenance

The X type switches are designed for a very long life but it is advised to do some simple yearly maintenance. - Check the installation for signs of overload or overheating. The terminals may not exceed the limit of 85°C under full load. - By operating the switch a few times (5x) the contacts will clean themselves and the switch will have a longer life.

Connection

The terminals, can take copper wires up to 6 mm². The recommended Spade Tongue Terminals may have a maximum width of 9 mm (see table for recommendations)

Recommend Manufacturer	Type number	Wire size (AWG)	Wire size (mm ²)	Color
JST	FVD2-YS4A	AWG 16 - AWG 14	1,0 - 2,5 mm ²	Blue
TE connectivity	C-165012	AWG 16 - AWG 14	1,0 - 2,5 mm ²	Blue
Vogt	3635c	AWG 16 - AWG 14	1,5 - 2,5 mm ²	Blue
TE connectivity	C-165015	AWG 12 - AWG 10	3,0 - 6,0 mm ²	Yellow
Vogt	3652c / 3653c	AWG 12 - AWG 10	3,0 - 6,0 mm ²	Yellow
Santon (JST)	52A1256.35	AWG 8 - AWG 10	10,5mm ² -16mm ² *1	*2

*1 16mm² only with fine stranded wire (or two times 6mm²)
*2 Optional: A yellow finger safe sleeve for the Spade Tongue Terminal (Santon 52A1256.35) can be ordered under item number 52A1564.00