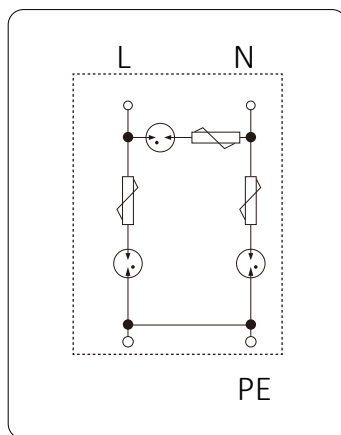




SURGE ARRESTERS FOR LED STREET LIGHT

RL-3MVGT/390-10/S

Low voltage surge protector
RL-3MVGT/390-10/S is a compact surge protection device (SPD) especially for outdoor LED light and LED street light lightning & surge protection. All mode protection circuit enables it used universally in worldwide. VT technology be used to eliminate leakage current to ground (or protective conductor) to avoid malfunction of upstream residual current protection device.

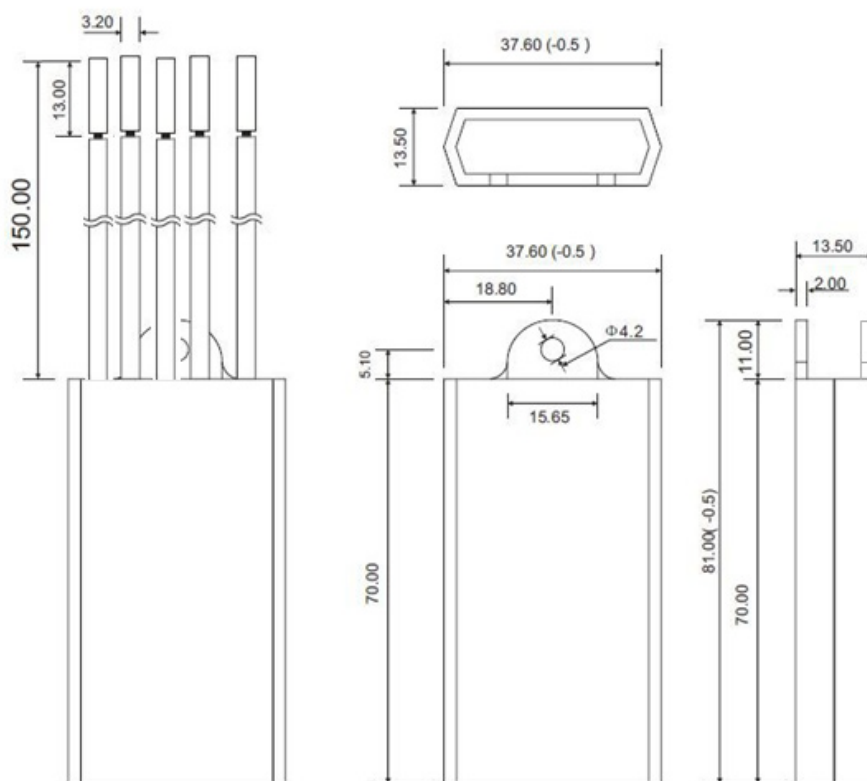


Basic circuit diagram



- Surge arrester comply with IEC 61643-11 and UL 1449 4th.
- Designed to protect single phase LED light applications or other electrical and electronic facility.
- Suitable for using in Un 110~277Vac single phase.
- VT (GDT and MOV in series) technology to eliminate leakage current. And provide better reliability and robustness & TOV(temporary over-voltage) withstand performance
- Max Discharge Current up to 10kA 8/20us and Open Circuit Voltage Uoc to 20kV.
- Offering full mode protection to L-PE, L-N, N-PE.
- IP67 waterproof enclosure.

Type	RL-3MVGT/390-10/S
In accordance with	IEC61643-11:2011; UL1449 4th
Category IEC/VDE/UL	II+III/C+ D/ Type 4 CA
Connection Type	Series connection
Power system (single phase)	110VAC~347VAC
Max. continuous operating voltage Uc (AC)	390VAC
Mode of Protection	Full mode protection
Nominal load current IL	16A
Nominal discharge current(8/20) In	5kA
Max. discharge current(8/20) Imax	10kA
Open circuit voltage Uoc	20kV
Voltage protection level Up	≤1.1kV
Response time	≤25 ns
Follow current	No
Backup fuse(only required if not already provided in mains)	16A gL/gG
Operating temperature range	- 40°C ~ +80°C
connection wire	1.5 mm ² flexible (L/N: Blue/Brown; PE=Y/G)
Enclosure material	ABS; extinguishing degree UL94 V-0
Degree of protection	IP67 (Waterproof)
Dimension	81*37.6*13.4mm
Altitude	≤3000m



Dimension Drawing (mm)

