



PV 40/100-MVCR

Common mode DC Surge arrester for DC system protection against surges at the boundaries from lightning protection zone OB-1 and higher.

- Class II (C) DC arrester in according with IEC61643-1:2005.
- Two part design consisting of base and plug-in protection module.
- Common protection mode.
- High energy MOV (Metal Oxide Varistor) inside.
- Reliable supervision due to disconnection device.
- Fault indication by red indication flag in window.
- Fast response.
- With remote alarm terminal.

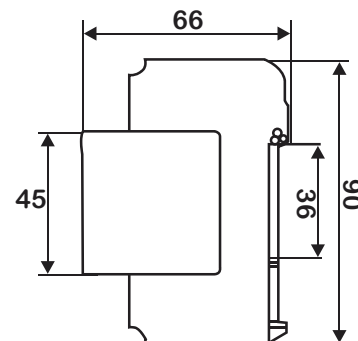
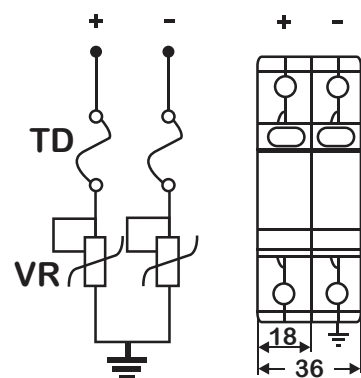


Characteristics

Type	PV40/100-MVCR
In accordance with	IEC61643-1:2005 ; UL1449 ed.3
Category IEC/VDE	II / C
Protection Mode	Common mode
Max. continuous operating voltage (DC)	100VDC
Nominal discharge current (8/20) In	20KA
Max. discharge current(8/20) Imax	40KA
Voltage protection level	800V
Response time	≤25 ns
Backup fuse (only required if not already provided in mains)	125A gL/gG
Operating temperature range	- 40°C + 80°C
Cross-section of connection wire	Single-strand 35 _{mm} ² ; multi-strand 25 _{mm} ²
Mounting	35 _{mm} DIN-rail in accordance with EN 50022/DIN46277-3
Enclosure material	Thermoplastic ; extinguishing degree UL94 V-0
Degree of protection	IP20
Installation width	2 module , DIN 43880
Thermal disconnecter	Internal green – normal red - failure
Remote alarm contact	Yes
Additional data for Remote Alarm Contacts	
Remote alarm contact type	floating changeover contact
Switching capability UN/IN	AC: 250V/0.5A DC: 250V/0.1A; 125V/0.2A ; 75V/0.5A
Cross-section of connection wire	Max. 1.5 _{mm} ²

Note: Subject to change without any notice.

Dimensions and Diagram



All dimension in mm

note: subject to change without any notice, JDA pay no responsibility