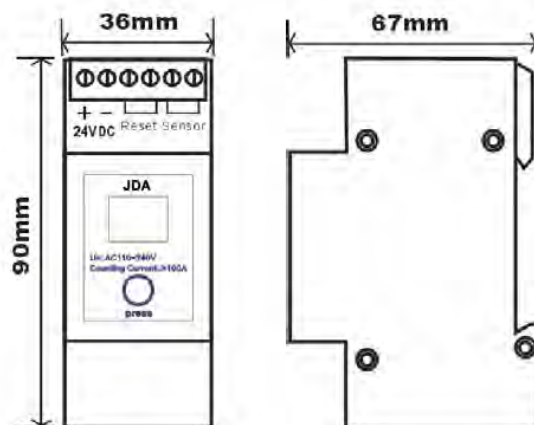
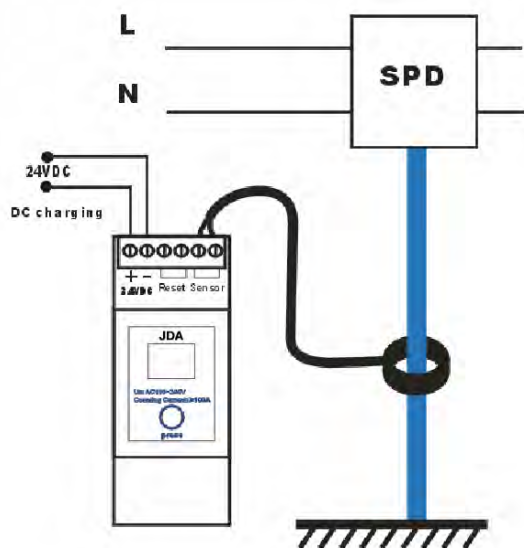


Lightning Event Counter

Type : ECL-A-24

Lightning event counter is used for testing the lightning event in a certain area.

- Counting accurately
- Sensitive response
- Stable capability, strongly anti-jamming.
- Easy to install and use
- Can be used together with all kinds of lightning protectors and equipment.
- Voltage or current counting alternative is



Technical Data

Type	ECL-A-24
Nominal Voltage	24VDC
Counting Current	≥ 100A
Display Model	LED
LCD Indicator	Lightning Event 0~99
Current Sample Mode	Inductive Probe
Battery	Battery 7.2V, service life> 1year, recharge able
Operation temperature (°C)	-40~+80
Mounting on	35 mm DIN rail
Dimension	2 modules, DIN 43880
Enclosure material	thermoplastic; extinguishing degree UL94 V-0