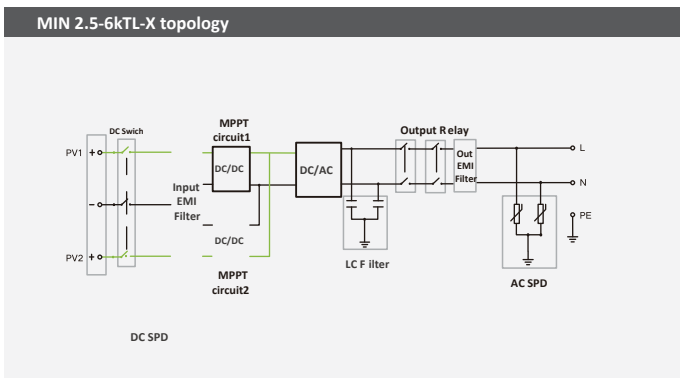
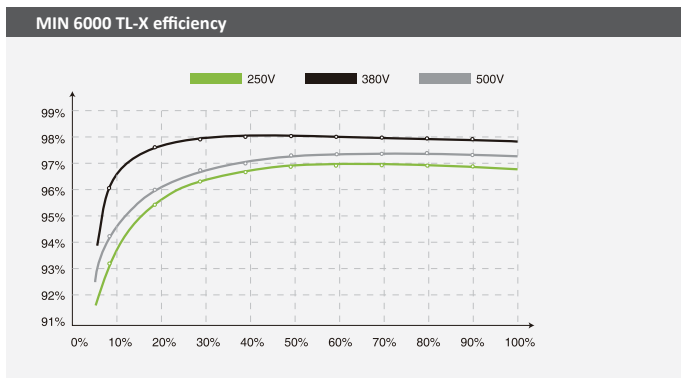


MIN 2500~6000TL-X



- Maximum efficiency 98.4%
- Dual MPP trackers
- Type II SPD on DC side
- Supports export control
- Touch key and OLED display





輸入數據(直流) Input Data

	MIN 2500TL-X	MIN 3000TL-X	MIN 3600TL-X	MIN 4200TL-X	MIN 4600TL-X	MIN 5000TL-X	MIN 6000TL-X
最大直流輸入功率 Max. recommended PV power (for module STC)	3500W	4200W	5040W	5880W	6440W	7000W	8100W
最大直流輸入電壓 Max. DC voltage	500V	500V	550V	550V	550V	550V	550V
啟動電壓 Start Voltage	100V	100V	100V	100V	100V	100V	100V
追蹤器工作範圍 MPPT work voltage range	80V-500V	80V-500V	80V-550V	80V-550V	80V-550V	80V-550V	80V-550V
額定電壓 Nominal voltage	360V	360V	360V	360V	360V	360V	360V
最大輸入電流 Max. input current	12.5A/12.5A	12.5A/12.5A	12.5A/12.5A	12.5A/12.5A	12.5A/12.5A	12.5A/12.5A	12.5A/12.5A
最大短路電流 Max. short-circuit current	16A/16A	16A/16A	16A/16A	16A/16A	16A/16A	16A/16A	16A/16A
追蹤器數量/每追蹤器併數 Number of MPPT trackers/Strings per MPPT tracker	2/1	2/1	2/1	2/1	2/1	2/1	2/1

輸出數據(交流) Output (AC)

額定交流輸出功率 Rated AC output power	2500W	3000W	3600W	4200W	4600W	5000W	6000W
最大交流視在功率 Max. AC apparent power	2500VA	3000VA	3600VA	4200VA	4600VA	5000VA	6000VA
交流電壓範圍 Max. output current	11.3A	13.6A	16A	19A	20.9A	22.7A	27.2A
額定輸出電壓範圍 AC nominal voltage	230V(160V-300V)	230V(160V-300V)	230V(160V-300V)	230V(160V-300V)	230V(160V-300V)	230V(160V-300V)	230V(160V-300V)
交流電網頻率範圍 AC grid frequency	50Hz/60Hz,±5Hz	50Hz/60Hz,±5Hz	50Hz/60Hz,±5Hz	50Hz/60Hz,±5Hz	50Hz/60Hz,±5Hz	50Hz/60Hz,±5Hz	50Hz/60Hz,±5Hz
功率因數調節範圍 Adjustable power factor	0.8leading...0.8lagging	0.8leading...0.8lagging	0.8leading...0.8lagging	0.8leading...0.8lagging	0.8leading...0.8lagging	0.8leading...0.8lagging	0.8leading...0.8lagging
諧波 THDi	<3%	<3%	<3%	<3%	<3%	<3%	<3%
交流連接類型 AC connection	Single phase	Single phase	Single phase	Single phase	Single phase	Single phase	Single phase

效率 Efficiency

最大效率 Max. efficiency	98.2%	98.2%	98.2%	98.4%	98.4%	98.4%	98.4%
歐洲加權效率 Euro weighted efficiency	97.1%	97.1%	97.2%	97.5%	97.5%	97.5%	97.5%
MPPT 效率 MPPT efficiency	99.9%	99.9%	99.9%	99.9%	99.9%	99.9%	99.9%

設備保護 Protection Devices

直流反極性保護 DC reverse polarity protection	yes	yes	yes	yes	yes	yes	yes
每個MPP追蹤器直流開關 DC switch for each MPPT	yes	yes	yes	yes	yes	yes	yes
直流突波保護 DC surge protection	Type II	Type II	Type II	Type II	Type II	Type II	Type II
輸出過流保護 Output over current protection	yes	yes	yes	yes	yes	yes	yes
輸出過壓保護 - 壓敏電阻 Output over voltage protection-varistor	yes	yes	yes	yes	yes	yes	yes
接地故障檢測 Ground fault monitoring	yes	yes	yes	yes	yes	yes	yes
電網監測 Grid monitoring	yes	yes	yes	yes	yes	yes	yes
內建全極性感應漏電流檢測裝置 Integrated all - pole sensitive leakage current monitoring unit	yes	yes	yes	yes	yes	yes	yes

常規數據 General Data

尺寸(寬/高/深)mm Dimensions (W / H / D) in mm	375/350/160	375/350/160	375/350/160	375/350/160	375/350/160	375/350/160	375/350/160
重量 Weight	10.8KG	10.8KG	10.8KG	10.8KG	10.8KG	10.8KG	10.8KG
運行溫度範圍 Operating temperature range	-25°C...+60°C	-25°C...+60°C	-25°C...+60°C	-25°C...+60°C	-25°C...+60°C	-25°C...+60°C	-25°C...+60°C
噪聲指數(典型) Noise emission (typical)	≤25 dB(A)	≤25 dB(A)	≤25 dB(A)	≤25 dB(A)	≤25 dB(A)	≤25 dB(A)	≤25 dB(A)
海拔高度 Altitude	4000m	4000m	4000m	4000m	4000m	4000m	4000m
夜間自耗電 Self-Consumption night	<0.5W	<0.5W	<0.5W	<0.5W	<0.5W	<0.5W	<0.5W
拓撲結構 Topology	Transformerless	Transformerless	Transformerless	Transformerless	Transformerless	Transformerless	Transformerless
冷卻方式 Cooling concept	Natural	Natural	Natural	Natural	Natural	Natural	Natural
環境保護等級 Environmental Protection Rating	IP65	IP65	IP65	IP65	IP65	IP65	IP65
相對溼度 Relative humidity	100%	100%	100%	100%	100%	100%	100%

特點 Features

直流連接方式 DC connection	H4/MC4(opt)	H4/MC4(opt)	H4/MC4(opt)	H4/MC4(opt)	H4/MC4(opt)	H4/MC4(opt)	H4/MC4(opt)
交流連接方式 AC connection	Connector	Connector	Connector	Connector	Connector	Connector	Connector
顯示 Display	OLED+LED	OLED+LED	OLED+LED	OLED+LED	OLED+LED	OLED+LED	OLED+LED
通訊接口: USB/RS485/GPRS/4G Interfaces: RS485 / USB / Wi-Fi/ 4G / RF	yes/yes/opt/opt/opt	yes/yes/opt/opt/opt	yes/yes/opt/opt/opt	yes/yes/opt/opt/opt	yes/yes/opt/opt/opt	yes/yes/opt/opt/opt	yes/yes/opt/opt/opt
質保期:5年/10年 Warranty: 5 years / 10 years	yes/opt	yes/opt	yes/opt	yes/opt	yes/opt	yes/opt	yes/opt

認證許可 Certificates and Approvals

CE, IEC62109, G83, VDE0126-1-1, VFR2014, G59, AS4777, AS/NZS 3100, CEI0-21, VDE-AR-N4105, EN50438, CQC, IEC61683, IEC60068, IEC61727, IEC62116