



PV40/600-MVCR

Common mode DC Surge arrester for Photovoltaic protection against surges at the boundaries from lightning protection zone OB-1 and higher.

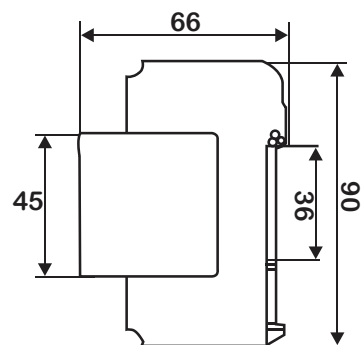
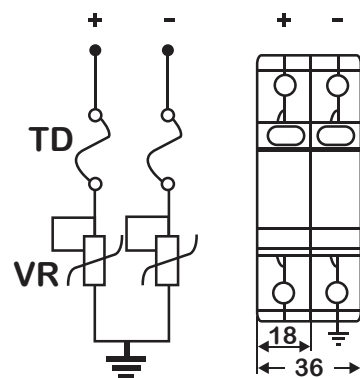
- Class II (C) DC arrester in according with EN50539-11 and IEC61643-11.
- Two part design consisting of base and plug-in protection module.
- Common protection mode.
- High energy MOV (Metal Oxide Varistor) inside.
- Reliable supervision due to disconnection device.
- Fault indication by red indication flag in window.
- Fast response.
- With remote alarm terminal optional.



Characteristics

Type	PV40/600-MVCR	
In accordance with	EN50539-11 , IEC61643-11; UL1449 ed.3	
Category IEC/VDE	II/ C	
Protection Mode	Common mode	
Nominal voltage	600VDC	
Max. continuous operating voltage (DC)	640VDC	
Nominal discharge current (8/20) In	20KA	
Max. discharge current(8/20) I _{max}	Per IEC61643	40KA
	Per UL1449	50KA
Voltage protection level	2.2KV	
VPR at 6KV/3KA	<1.6KV	
Response time	≤25 ns	
Backup fuse(only required if not already provided in mains)	125A gL/gG	
Operating temperature range	- 40° C + 80° C	
Cross-section of connection wire	Single-strand 35mm ² ; multi-strand 25mm ²	
Mounting	35mm DIN-rail in accordance with EN 50022/DIN46277-3	
Enclosure material	thermoplastic; extinguishing degree UL94 V-0	
Degree of protection	IP20	
Installation width	2 modules, DIN 43880	
Thermal disconnecter	Internal green – normal red - failure	
Remote alarm contact	Yes	
Additional data for Remote Alarm Contacts		
Remote alarm contact type	floating changeover contact	
Switching capability U _N /I _N	AC: 250V/0.5A DC: 250V/0.1A; 125V/0.2A; 75V/0.5A	
Cross-section of connection wire	Max. 1.5mm ²	

Dimensions and Diagram



All dimension in mm

note: subject to change without any notice, JDA pay no responsibility