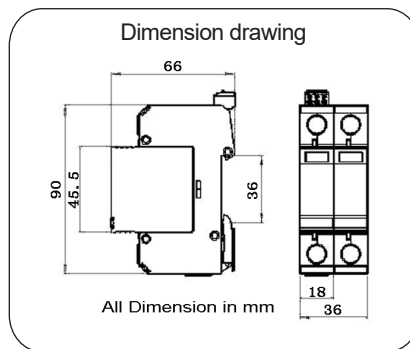
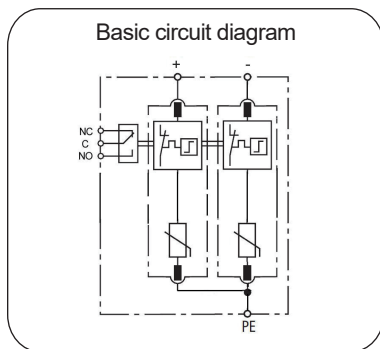


# PV40/xx-MVCR



Type 2 surge arrester designed for low voltage DC system against surges at the boundaries from lightning protection zone OB-2and higher.

- In accordance with EN50539, IEC61643-11 and UL1449-4th
- DC SPD for common mode protection
- Pluggable module design, easy replacement
- High discharge current 40kA 8/20
- Reliable supervision due to disconnection device
- Fault indication by red indication flag in window
- With remote alarm terminal optional

Part No.		PV40/48-MVCR	PV40/60-MVCR	PV40/100-MVCR
In accordance with		EN50539;IEC61643-11:2011; UL14494th		
Category IEC/VDE		II/ C		
Protection Mode		Common mode		
Nominal voltage (Vdc)	Un	48VDC	60VDC	100VDC
Max. continuous operating voltage	Ucpv	75VDC	100VDC	150VDC
Nominal discharge current(8/20us)	In	20kA		
Max. discharge current(8/20us)	Imax	40kA		
Voltage protection level	Up	<350V	<500V	<700V
Short-circuit current rating(Iscpv)		1000A		
Response time		≤ 25 ns		
Follow current		No		
Backup fuse(only required if not already)		125A gR/gPV		
Operating temperature range		- 40°C ~ + 80°C		
Cross-section of connection wire		Single-strand 35mm <sup>2</sup> ; multi-strand 25mm <sup>2</sup>		
Mounting		35mm DIN-rail in accordance with EN 50022/DIN46277-3		
Enclosure material		thermoplastic; extinguishing degree UL94 V-0		
Degree of protection		IP20		
Installation width		2 modules, DIN 43880		
Thermal disconnecter		Internal green – normal ; red - failure		
Remote alarm contact		Yes		
Approvals, Certifications		CE		
<b>Additional data for Remote Alarm Contacts</b>				
Remote alarm contact type		Isolated Form C		
Switching capability Un/In		AC: 250V/0.5A DC: 250V/0.1A; 125V/0.2A; 75V/0.5A		
Max. Size of connecting wire		Max. 1.5mm <sup>2</sup> (or # 16AWG)		

note: subject to change without any notice, JDA pay no responsibility