

Technical specifications for CH fuse holders

Technical data						
Fuse type	PCF 10 DC		EFH 10 DC		EFH 14 DC	
	CH 10x38 PV		CH 10x38 PV		CH 14x51 PV	
	IEC	UL	IEC	UL	IEC	UL
Versions	Without indicator, LED indicator					
Number of poles	1p, 2p					
Rated operational voltage Ue	1000V d.c.					
Rated operational current Ie	25A			50A		
Rated conditional short-circuit current	30kA	10kA	30kA	10kA	30kA	10kA
Rated insulation voltage Ui	1000V		1000V		1000V	
Rated imp. withstand voltage Uimp	4kV		8kV		8kV	
Required insulation temperature rating	60°C		60°C		60°C	
Max power dissipation of the fuse-link (W)	3W		3W		5W	
Derating factor of current In for different ambient temperatures	20° 30° 40° 50° 60° 70°		1 0,95 0,9 0,8 0,7 0,5			
Derating factor of current In for side by side mounting fuse holders (nr. of poles)	1-4 5-6 7-9 ≥10		1 0,8 0,7 0,6			
LED indicator operating range	50V-1000V d.c.					
Utilization category	DC-20B (Do not operate under load)					
Operational performance (cycles with current)	0		0		0	
Operational performance (cycles without current)	2000		2000		2000	
Inclined Plane Tracking (IPT)			60min at 1kV		60min at 1kV	
Humidity	90% at 20°C		90% at 20°C		90% at 20°C	
Operating ambient temperature	-5°C ... +40°C		-5°C ... +40°C		-5°C ... +40°C	
Store ambient temperature	-25°C ... +55°C		-25°C ... +55°C		-25°C ... +55°C	
Degree of protection (IEC 60529)	IP 20		IP 20		IP 20	
Terminal capacity	0,5-10mm ² Double connection	AWG 20-10 stranded Cu only	1-25mm ²	AWG 18-8 solid&stranded Cu only	1,5-35mm ²	AWG 16-6 solid&stranded Cu only
Screw	PZ M4	PZ M4	PZ M5	PZ M5	PZ M5	PZ M5
Torque	1,2Nm	1,2Nm	2Nm	2Nm	2,5-3Nm	2Nm
				17,7 lb-in	2Nm	17,7 lb-in
Mounting on EN 60715 rail	35mm rail					
Sealing possibility	ON and OFF					
Standards - fuse links	IEC/EN 60269-2 IEC/EN 60269-6 UL 284-4	IEC/EN 60269-2 IEC/EN 60269-6 UL 284-4	IEC/EN 60269-2 IEC/EN 60269-6 UL 284-4	IEC/EN 60269-2 IEC/EN 60269-6 UL 284-4	IEC/EN 60269-2 IEC/EN 60269-6 UL 284-4	UL 248-4 IEC/EN 60269-2
Standards - fuse holders	IEC 60947-1 IEC 60947-3	UL 4248-1 UL 4248-18	IEC 60947-1 IEC 60947-3	UL 4248-1 UL 4248-18 UL 486E CSA C22.2 No.65	IEC 60947-1 IEC 60947-3	UL 4248-1 UL 4248-18 UL 486E CSA C22.2 No.65
Test reports	Int	UL	Int	UL	Int	UL
Certificates		UR		UL Listed		UL Listed

Section rail

PCF 10 DC, EFH 10 DC

Type	Description	Code No.	Cross section (mm ²)	Length (m)	Weight [g]	Packaging [pcs]
I2S10/1F/54	10 mm ² , 1 pole, 54 mod	002921101	10	1	150	40
I2S16/1F/54	16mm ² , 1 pole, 54 mod	002921111	16	1	220	40

For use with PCF10 DC, EFH10 DC

EFH 14 DC

Type	Description	Code No.	Cross section (mm ²)	Length (m)	Weight [g]	Packaging [pcs]
I2S16/1F/36	16mm ² , 1 pole, 36 mod	002921121	16	1	280	40

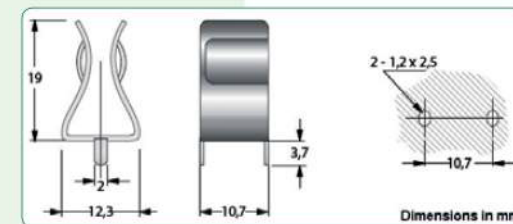
For use with EFH14 DC



Fuseholder for CH fuse links

Fuseholders for CH10 fuse links

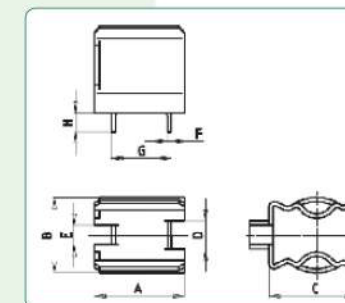
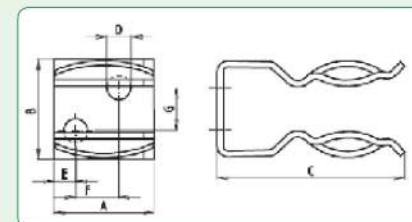
Code	Type	Weight(g)	Packaging [pcs]
006710335	HK10383	1	250



Type	Dimensions (mm)							
	A	B	C	D	E	F	G	H
HK10383	12,3	9,8	19,0	2,0	2,0	0,75	11,0	4,0

Fuseholders for CH14 fuse links

Code	Type	Weight(g)	Packaging [pcs]
006710340	CH14-PCB	5	100
006710341	CH14-SCR	5	100



Type	Dimensions (mm)						
	A	B	C	D	E	F	G
CH14-SCR	16	16	23	4,2	6,5	0	0

Type	Dimensions (mm)							
	A	B	C	D	E	F	G	H
CH14-PCB	16	14	15,5	5	3,5	0,75	10,7	3,5