

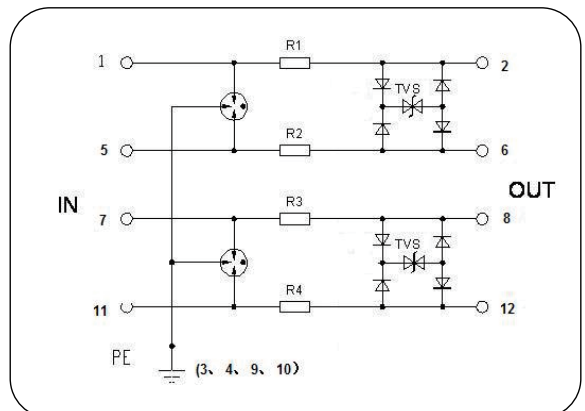
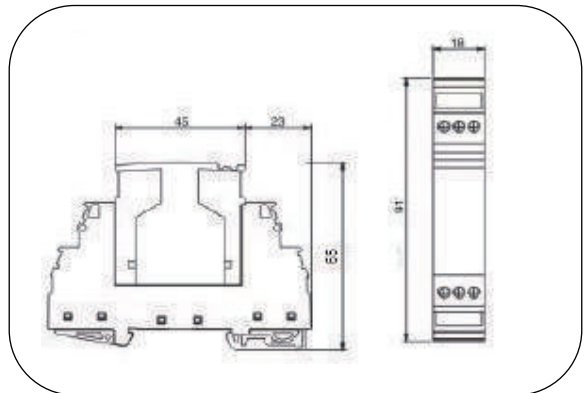
## DN-24/RS485

Surge protective devices with plug-in protection modules for high-frequency signal transmission systems against surges at the boundaries from lightning protection zone OB>2.

- Data network protector in according with IEC61643-21.
- Two parts design, surge protection modules to be exchanged easily.
- Signal transmission is not interrupted when exchanging modules.
- Limit the transients with gas discharge tubes and diodes.
- Two-stage protection circuit.
- 35 mm DIN-rail mounting design



Model	DN-24/RS485
Connection	Terminal type
pinning	IN(1/5/7/11) OUT(2/6/8/12) PE(3,4,9,10)
Nominal Voltage (V) Un	24V
Max. Continuous Voltage (V) Uc	28V
Nominal Current (A) IL	500mA
Series resistance (Ohm)	<2Ω
Transmission Speed Vs (bps)	10Mbps
Insertion loss at 80MHz (dB)	≤ 0.2dB
Voltage protection level (1kV/μs)	≤ 42V
Nominal Discharge Current (8/20μs,KA) In 15 times/Per Line	10kA (8/20μs)
Max. Discharge Current (8/20μs,KA) Imax 1 time/Per Line	20kA(8/20μs)
Response time	1ns
Degree of protection	IP20
Dimensions (mm)	91*18*65mm
Mounting on	35 mm DIN-rail
Environment Temperature ( °C)	-40°C~+70 °C
According with	IEC 61643-21



note: subject to change without any notice, JDA pay no responsibility