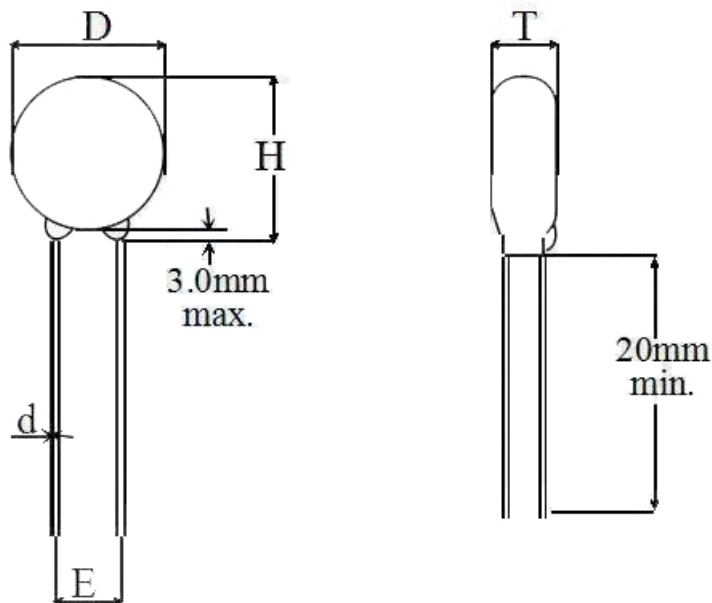




25JD142K Specification

Physical Specification (Dimension :)



Electrical / Thermal Specification

Maximum Allowable AC Voltage 最大交流工作電壓	880V	
Maximum Allowable DC Voltage 最大直流工作電壓	1140V	
Varistor Voltage 壓敏電壓	1260-1540V	V0.1mA □ V1mA ■
Maximum DC Leakage Current 漏電流	20μA	At 80% of Varistor Voltage
NONLINEAR EXPONENT (α) 非線性係數	≥ 21	
Maximum Clamp Voltage / Test Current 等級限制電壓	2400V/50A	Test Current Waveform 8/20 μs
WITHSTANDING SURGE CURRENT 標稱/最大放電電流	In: 10KA	Test Current Waveform 8/20 μs
	I _{max} : 20KA	Test Current Waveform 8/20 μs
Maximum Energy 最大能量	850J	Test Current Waveform 10/1000 μs
RATED WATTAGE 額定功耗	1.40W	@Maximum Allowable AC/DC Voltage
Operation Temperature Ranger 工作溫度範圍	- 40~+85 °C	
Storage Temperature Ranger 儲存溫度範圍	- 40~+125 °C	
Typical Capacitor 電容值	500pF/1KHz	

note: subject to change without any notice, JDA pay no responsibility