



**pvBos<sup>®</sup>**

**PV array combiner box**

**stringMoni<sup>®</sup>**

note: subject to change without any notice, JDA pay no responsibility

您想配置一個特定的組串路? 您有一個多串逆變器需要超過2極? 您要在系統提供額外的保護例如含:保險絲、二極體? 任何有關的具體要求的輸出入電纜截面積? 任何特殊的連接器, 例如MC或Tyco? 您是否需要從遠程操作開關, 從PLC或外部繼電器? 您是否想要在接地故障的情況下關閉系統? 您是否想要串列即時監測? 您還有任何其他的要求? 日揚的直流開關箱根據您的設備訂製!

Do you want to configure a specific number of strings ? Do you have a multistring inverter which requires more than 2 poles ? Do you want to include additional protection in the systems : fuse, diodes, for example ? Any specific requirement about cross section of the incoming or outgoing cable? Any special connector, for example MC or Tyco ? Do you need string monitoring ? Do you need to operate the switch from remote, maybe from PLC, or external relay ? Do you want to switch off the system in case of an earth fault ? Any other requirement? JD Auspice customizes your junction boxes according to your installation !



單串或多串併接為一串輸出,配置IP67防水箱, 2P 1000Vdc直流開關1個, 直流保險絲及座2個(正負極各1個), 突波保護器1個, 適用一只追蹤之逆變, 2-3KW用。

Single or multi-strings parallel in one output for 1MPPT tracker. Configure with IP67 enclosure, 2pole 1000Vdc DC disconnect 1pc , PV fuse 2pcs, DC surge protector 1 pc, for 2~3KW PV system.



二串輸出, 配置IP67防水箱, 4P 1000Vdc直流開關1個或2P二個, 直流保險絲及座4個(正負極各2個), 突波保護2個, 適用二只追蹤器之逆變器, 4-6KW用或依開關電流額定適用10-25KW。

Two strings combiner box for 2MPPT tracker. Configure with IP67 enclosure, 4poles 1000Vdc DC disconnect or 2pcs 2pole 1000Vdc DC disconnect, PV fuse 4pcs, DC surge protector 2 pcs, for 4~6KW PV system or for 10~25KW in according with rated current of DC disconnect switch.



二串輸出, 配置IP67防水箱, 4P 1000Vdc直流開關1個或2P二個, 直流保險絲及座4個(正負極各2個), 突波保護1個, 適用二只追蹤器之逆變器, 一個雷擊計數器, 4-6KW用或依開關電流額定適用10-25KW。

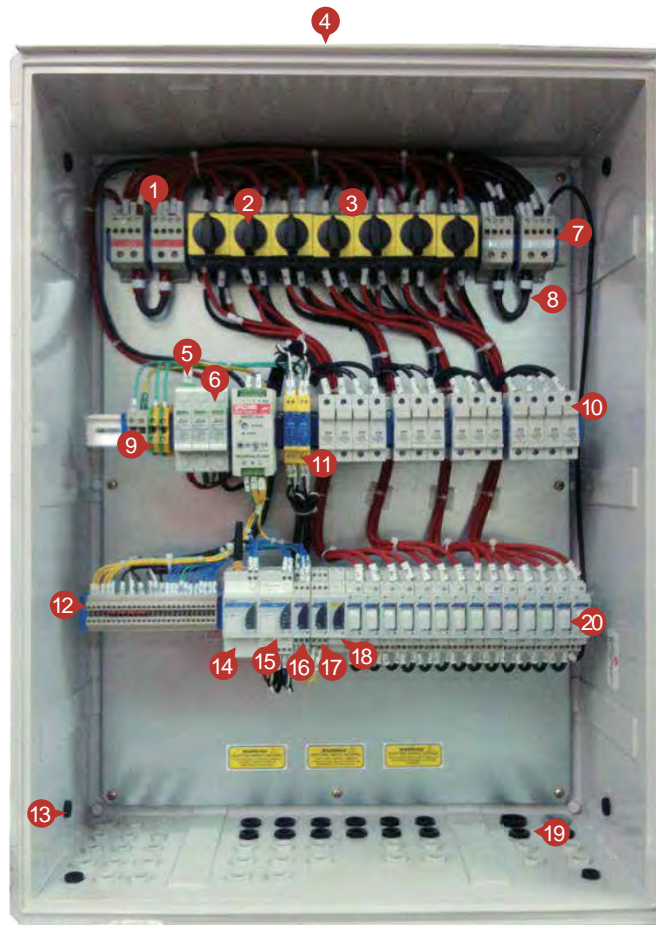
Two strings combiner box with surge counter SurgeCon for 2MPPT tracker. Configure with IP67 enclosure, 4 pole1000Vdc DC disconnects or 2pcs 2 pole 1000Vdc DC disconnect, PV fuse 4pcs, DC surge protector 2 pcs, SurgeCon 1pc, for 4~6KW PV



三串輸出, 配置IP67防水箱, 6P 1000Vdc流開關1個或2P三個, 直流保險絲及座6個(正負極各3個), 突波保3個, 適用三只追蹤器之變器, 6-10KW用或依開關電流額定適用10-25KW。

Three strings combiner box for 3MPPT tracker. Configured with IP67 enclosure, 6 pole 1000Vdc DC disconnect or 3pcs 2poles 1000Vdc DC disconnect, PV fuse 6pcs, DC surge protector 3 pcs, for 6~10KW PV system or for 10~25KW in according with rated current of DC disconnect switch.

- 1 正極匯流排  
positive bus bar
- 2 旋鈕  
knob
- 3 直流開關  
DC switch disconnect  
UL, KEMA, CCC, cCSAus,  
IEC 60947-3, UL508
- 4 IP54/65/67直流開關箱  
IP54/65/67 polycarbonate  
enclosure TUV, IP67, UL508
- 5 輔助接點  
auxiliary contact  
1NO, 1NC
- 6 突波保護器  
DC surge protector  
IEC 61643-11  
UL 1449 CE
- 7 負極匯流排  
negative bus bar
- 8 光伏電纜  
solar cable
- 9 接地端子  
earthing terminal block  
IEC 60947-7-11  
VDE 0611 UL / CSA
- 10 光伏熔絲  
PV fuse IEC 60269-6
- 11 訊號突波保護器  
surge protector signal
- 12 接線端子  
terminal block  
IEC 60947-7-1 VDE 0611  
UL/CSA



- 13 IP68透氣孔  
IP68 Ventilation valve
- 14 移動數據機  
mobile modon
- 15 網頁伺服器  
web-server
- 16 環境監測  
enviromental unit
- 17 防盜單元  
anti theft unit
- 18 輔助接點單元  
Relay I/O unit
- 19 防水矽環(膜嘴)，  
換氣封或電纜迫緊頭，  
接受客製  
membrane spouts,  
ventilation seal or cable  
gland on request
- 20 串列即時監測  
String sensor



太陽能變流器  
PV Inverter

### Inverter Reference

- 加州-265MW  
California
- 南非- 81MW  
South Africa
- 泰國-134MW  
Thailand
- 義大利-124MW  
Italy
- and more...



智慧型直流匯流開關箱  
pvBos® stringMoni®

### pvBos® stringMoni® Reference

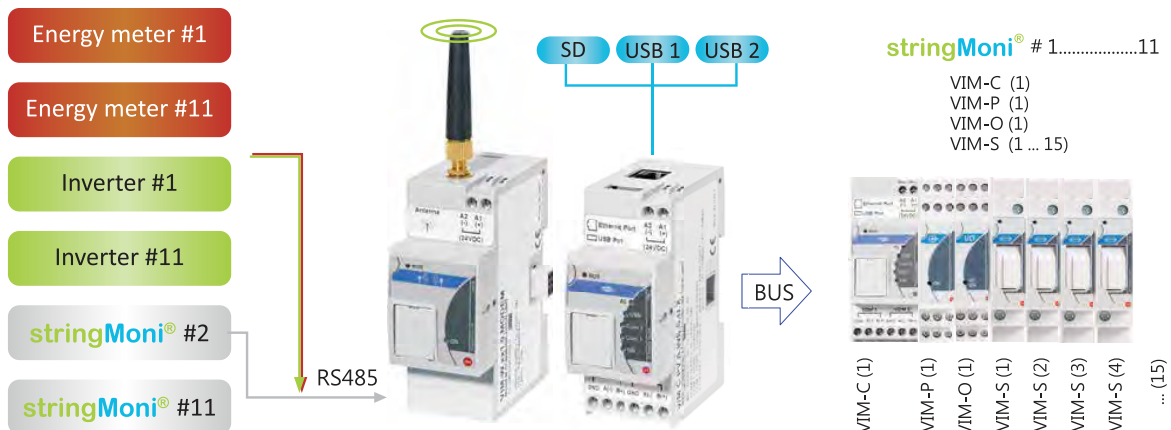
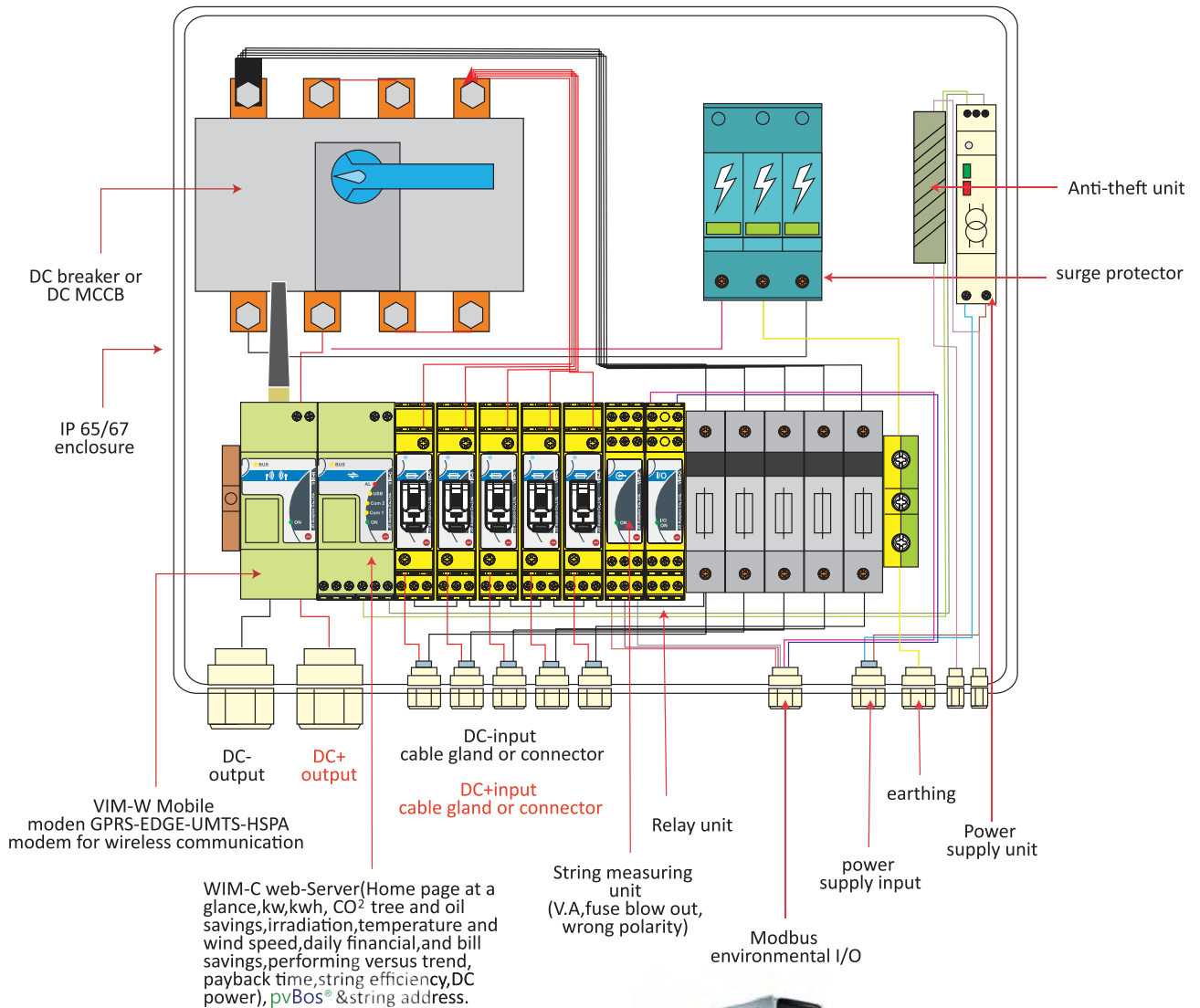
- 泰國-134MW  
Thailand
- 台灣-12.3MW  
Taiwan
- 8 MW 、 3 MW 、 1 MW  
and more...



# 太陽能串列即時監測 stringMoni®

Management and control system for photovoltaic plants

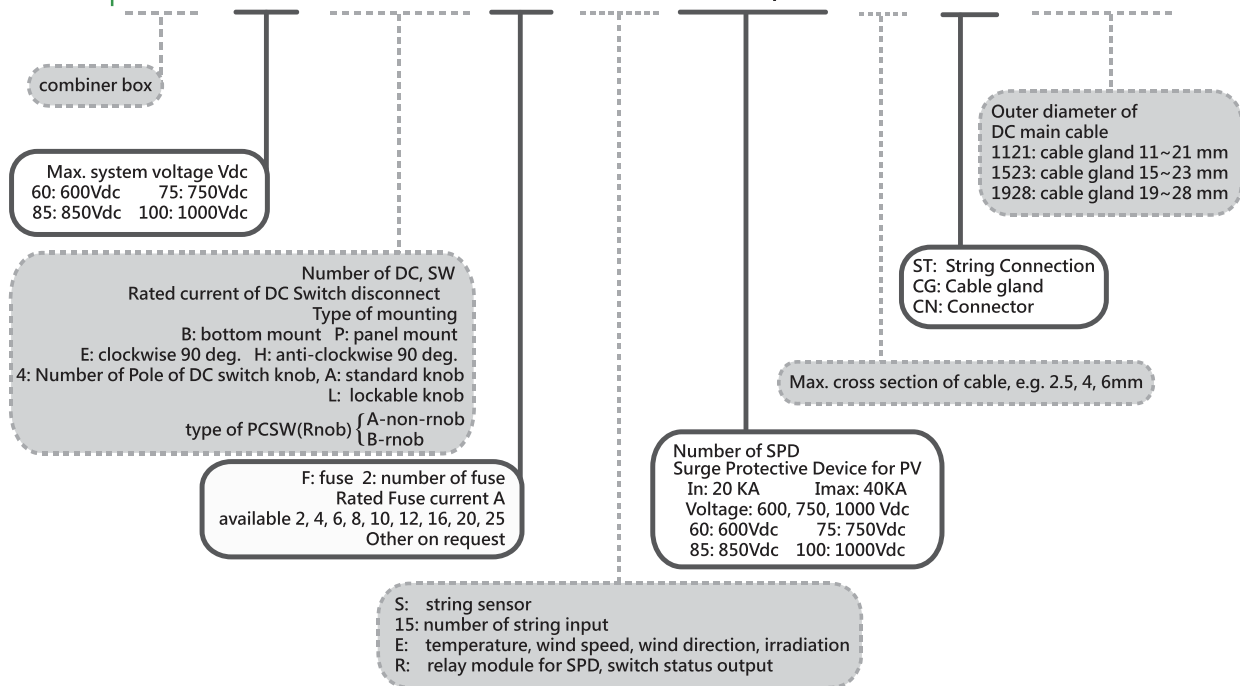
## PROTECT YOUR INVESTMENT



### 直流匯流箱 specification date

輸入數 input string	1	2	3	on request
輸入線徑 solar cable size	2.5 - 10mm <sup>2</sup>			YES
輸出線徑 out port cross section	DC Switch disconnect: 2.5mm <sup>2</sup> - 6mm <sup>2</sup> SPD: single strand 35mm <sup>2</sup> , multi-strand 25mm <sup>2</sup>			YES on request
保護二極體 diode	25, 35, 40A 1200 Vdc, or 1600 Vdc			on request
保險絲 PV fuse	10A / 900 Vdc / 1000 Vdc , on request Other fuse rating 1,2,4,6,8,12,16,20,25 on request			900 / 1000 Vdc On request
突波保護器 Surge protector	600 / 1000 Vdc In 20KA , Im 40KA 8/20 μs , class II, on request higher KA			1000Vdc , In20 KA Im 40 KA class II
直流開關最大輸出電流 DC switch disconnect	2 / 4 / 6 P , 16 / 25 / 32 / 40 / 63 / 80 A other on request			Up to 1250 A
最大輸入電壓 max input voltage	600, 750, 850, 1000 Vdc			
箱體材質 material of enclosure	ABS , PC , GRP stainless steel on request			
防護等級 IP rating	IP54 / 65 / 67			
尺寸(mm) size(mm)	300 x 400 x 180 WxHxD , other on request			YES
操作溫度 operating temp	without monitoring	DC switch disconnect: -25~+70°C SPD: -40~+80°C DC switch disconnect: -25~+70°C server: -25~+55°C string sensor: -25~+65°C at string current <10A power supply unit: for 18/30/60W, Derating (>60°C to +71°C)		
	with monitoring			
環境溫度 ambient temp	without monitoring	-25~+50°C		
	with monitoring	-25~+40°C		
認證 certificate	DC switch cCSus, UL508, KEMA, CCC, enclosure: TUV Fuse: IEC60269-6			

pvBos® - 100V - 1-16B4E -A F210 - S15ER -2-PV40/100 - C06 - STCG - ODCG 1523



- 有載隔離、箱體具防水、防塵IP54/65/67等級、蓋板採透明或非透明、門鎖及旋鈕鎖選項。
- On Load disconnect, weatherproof IP65/67, transparent or opaque cover door Lock or lockable knob available on request.

# Surge protector

## LED 燈具用突波保護器 For LED Lighting Fixture



RL-MTMV-40-275



RL-MTMV-40-320



RL-MV-20-275

## DC、AC signal surge protector

直交流、訊號突波保護器:具信控指示, 模塊更換, ETL、IEC、CE、UL認證



CONFORM TO UL1449  
CERTIFIED TO CSA C22.2#8



D1-50/XXX-2MV-R



D3-50/XXX-4MV-R



DN-8&&/xxxxx-\*\*

通訊用:RS232, RS422, RS423, RS485  
通號用:0/4-20mA, 0 5V, 0-10V



### 690.11 Arc-Fault Circuit Protection (DC).

PV systems with dc source and/or output circuits on or penetrating a building operating at a PV system maximum system voltage of 80 volts or greater shall be protected by a listed (DC) arc-fault circuit interrupter, PV type, or other system components listed to provide equivalent protection. The PV arc-fault protection means shall comply with the following requirements:

- (1) The system shall detect and interrupt arcing faults resulting from a failure in the intended continuity of a conductor, connection, module, or other system component in the direct current PV source and output circuits.
- (2) The system shall disable or disconnect one of the following:
  - a. Inverters or charge controllers connected to the fault circuit when the fault is detected
  - b. The system components within the arcing circuit
- (3) The system shall require that the disabled or disconnected equipment be manually restarted.
- (4) The system shall have an annunciator that must be manually disabled.



UL1699 B

光伏用故障電弧偵測器  
PV ARC Fault Detector